

PRIME BLUE: WATER-LUBRICATED STERN SEALS AND STERN TUBE BEARINGS

The easiest seal system on the market

AEGIR-Marine offers a durable and reliable seal system. On top of that, it's proven to be pollution-free. The PRIME Blue stern seal and stern tube bearings have many benefits for vessels with water-lubricated shafts. This type of seal is easy to install and operate. The seal does not wear the propeller shaft sleeve. Maintenance, including changing the seal, can be completed while the vessel is in the water. Seals come standard in a partial split version, but are also available as a fully split on request.

STRAIGHTFORWARD ASSEMBLY

The design of the PRIME Blue type seal is very straightforward. It consists of a rubber lip seal rotating with the shaft. The lip seal rotates against a stationary mating ring made of stainless steel. The seal casing is made of cast bronze. An inflatable seal for emergency and maintenance purposes is installed in the housing. Seal assemblies are supplied with one spare seal, which is installed around the shaft, ready for installation. This can often be done without the need for a service engineer.

COMPETITIVELY PRICED SPARE PARTS

Together with the PRIME Blue rubber stern tube bearings, a complete and reliable water-lubricated system can be installed. PRIME Blue bearings are available in straight and flanged types. Spare parts are very competitively priced compared to other water lubricated seals. All PRIME Blue spare are available at short notice.

RETROFIT

For retrofit purposes, the PRIME Blue can be supplied with adaptor flanges or in non-standard versions. Class approval for all major classification societies is available.

**PRIME BLUE
SEALS CAN
BE SERVICED
WITHOUT
DOCKING.**



AEGIR-Marine BV

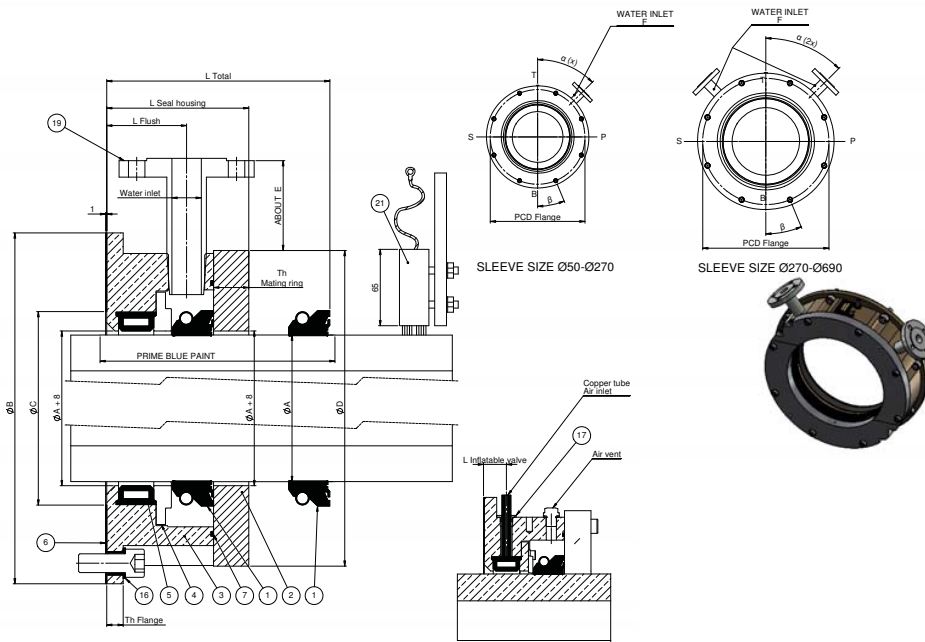
Molenvliet 34
3961 MV Wijk bij Duurstede
The Netherlands
+31 343 432 509

info@aegirmarine.com
aegirmarine.com



ONE CALL
+31 343 432 509

VERSION 1



Seal size	Shaft sleeve dia A	B	PCD Flange	C	D	E	Water inlet	L Total	L Seal housing	L Flush	L Inflatable valve	Th Flange	Th Mating ring	Flange bolts	α Water inlet	β Bolt holes	Small Seals	Normal Seals
50	41~60	188	160	88	160	78	1-DN20	170	103	57	27	15	20	6-M12x35	30	30	v	
70	61~80	208	180	108	180	78	1-DN20	170	103	57	27	15	20	6-M12x35	30	30	v	
90	81~100	228	200	128	200	78	1-DN20	170	103	57	27	15	20	6-M12x35	30	30	v	
110	101~120	270	240	148	240	78	1-DN20	170	103	57	27	15	20	6-M12x35	30	30	v	
130	121~140	290	260	168	260	78	1-DN20	170	103	57	27	15	20	6-M12x35	30	30	v	
150	141~160	310	280	188	280	78	1-DN20	170	103	57	27	15	20	8-M12x35	45	22,5	v	
170	161~180	330	300	208	300	78	1-DN20	170	103	57	27	15	20	8-M12x35	45	22,5	v	
190	181~200	350	320	228	320	78	1-DN20	170	103	57	27	15	20	8-M12x35	45	22,5	v	
210	201~220	385	350	248	345	78	1-DN25	170	103	60	27	15	20	6-M16x40	40	30	v	
230	221~240	405	370	271	375	78	1-DN25	190	117	65	27	15	25	6-M16x40	40	30		v
250	241~260	425	390	291	395	78	1-DN25	190	117	65	27	15	25	6-M16x40	40	30		v
270	261~280	445	410	311	415	78	1-DN25	190	117	65	27	15	25	8-M16x40	45	22,5		v
290	281~300	465	430	331	435	78	2-DN25	190	117	65	27	15	25	8-M16x40	45	22,5		v
310	301~320	485	450	351	455	78	2-DN25	190	117	65	27	15	25	8-M16x40	45	22,5		v
330	321~340	520	480	371	475	78	2-DN25	190	117	68	30	18	25	8-M20x50	45	22,5		v
350	341~360	540	500	391	495	78	2-DN25	190	117	68	30	18	25	8-M20x50	45	22,5		v
370	361~380	560	520	411	515	78	2-DN25	190	117	68	30	18	25	8-M20x50	45	22,5		v
390	381~400	580	540	431	535	78	2-DN25	190	117	68	30	18	25	8-M20x50	45	22,5		v
410	401~420	650	595	515	580	88	2-DN32	215	132	73	32	20	25	8-M24x60	45	22,5		v
430	421~440	670	615	535	600	88	2-DN32	215	132	73	32	20	25	8-M24x60	45	22,5		v
450	441~460	690	635	555	620	88	2-DN32	215	132	73	32	20	25	8-M24x60	45	22,5		v
470	461~480	710	655	575	640	88	2-DN32	215	132	73	32	20	25	8-M24x60	45	22,5		v
490	481~500	730	675	595	660	88	2-DN40	215	140	77	32	20	25	8-M24x60	45	22,5		v
510	501~520	760	700	615	680	88	2-DN40	215	140	77	32	20	25	12-M24x60	45	15		v
530	521~540	780	720	635	700	88	2-DN40	215	140	77	32	20	25	12-M24x60	45	15		v
550	541~560	800	740	655	720	88	2-DN40	215	140	77	32	20	25	12-M24x60	45	15		v
570	561~580	820	760	675	740	88	2-DN40	215	140	77	32	20	25	12-M24x60	45	15		v
590	581~600	840	780	695	760	88	2-DN40	215	140	77	32	20	25	12-M24x60	45	15		v
610	601~620	860	800	715	780	88	2-DN40	215	140	77	32	20	25	16-M24x60	45	11,3		v
630	621~640	880	820	735	800	88	2-DN40	215	140	77	32	20	25	16-M24x60	45	11,3		v
650	641~660	900	840	755	820	88	2-DN40	215	140	77	32	20	25	16-M24x60	45	11,3		v
670	661~680	920	860	775	840	88	2-DN40	215	140	77	32	20	25	16-M24x60	45	11,3		v
690	681~700	940	880	795	860	88	2-DN40	215	140	77	32	20	25	16-M24x60	45	11,3		v