

In-line Axial shower fan kit

Domestic Extract Fan

April 2023

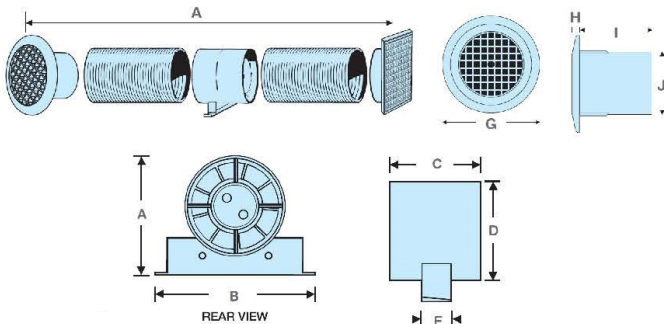
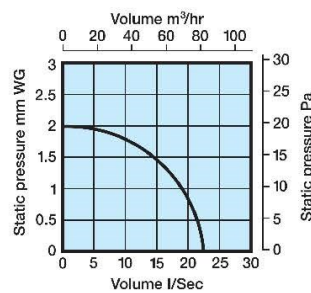
PRODUCT



PERFORMANCE

Size	Extraction L/s
100mm	23 l/s (85m ³ /hr)

A	3m	F	15
B	140	G	140
C	140	H	10
D	100	I	50
E	33	J	98



USES

- Continuous or periodic exhaust ventilation of bathroom & shower spaces
- Designed to be ceiling mounted in the attic space ceiling joists

FEATURES & BENEFITS

- Quiet and efficient fan kit
- Available with two different options
 1. Standard
 2. Timer
- The kit are supplied with a fan unit, one length of PVC flexible ducting, one internal and one external wall grille, fixing screws, plugs & strap to secure duct to the grilles.
- Designed to be ceiling mounted
- Manufactured using high ABS thermoplastics for strength and durability
- Extracts 23 litres per second for 100mm
- Power is provided by a single phase induction motor with pre-oiled bearings for a long maintenance free life
- Wiring and installation instructions provided with the kit

ADDITIONAL DATA

	100mm
Specific Fan Power	0.65
Max pressure p.a.	20
Fan Speed r.p.m	2400
Sound Volume dB(A)	41
Max operating Temp	40
Power consumption	15W

