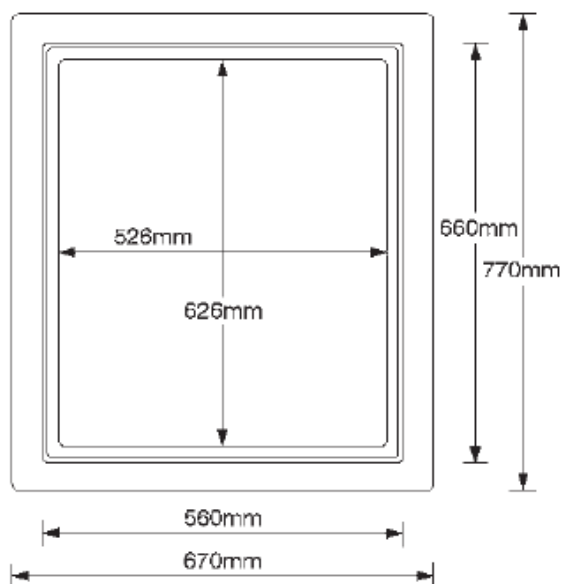


AIRTIGHT LOFT TRAP



USE

- For use in new or refurbishment projects.
- For use in ceilings
- Airtight and insulated plastic loft traps

FEATURES & BENEFITS

- Purpose made plastic product that saves time and money compared with traditional joiner made doors
- Offers U-Value of 0.35W/m²k and 0.25W/m²k
- Independently tested and demonstrated a zero 0.00m³/(h.m²) air leakage at 50PA to exceed requirements set out in Building Regulations while complying with BS5250:2002
- Available in hinged or drop down options
- Allows the use of a separate telescopic loft ladder
- Insulated door panel with integral draught/vapour seal
- Incorporates a twist operated catch to release a downward opening hinge door or prevent wind uplift on the drop down door
- Also available with secure key operated lock assembly

Material

Colour	Plastic White
Material	Frame—One piece injection moulded in polypropylene Insulation—CFC free low lambda expanded polystyrene

Product

Description	Frame Fitting Size Required	Clear Opening Size Installed	Product Code
Hinge Door trap	562x665mm	526x626mm	ICON 1169/35 or 1169/25
Drop-in Door trap	562x665mm	526x626mm	ICON 1168/35 or 1168/25



Air leakage capabilities were independently tested by the BRE to BS EN 1314101:2004 4.3

