

# NSAI

## ECE TYPE-APPROVAL CERTIFICATE



Communication concerning<sup>2</sup>

Approval granted  
Approval extended  
Approval refused  
Approval withdrawn  
~~Production definitively discontinued~~

of a type of mechanical coupling device or component pursuant to Regulation No.55.

Approval No: E24\*55R01/08\*0569\*00

Reason for extension:

- N/A

1. Trade name or mark of the device or component:

 Palazoglu

2. Type of device or component:

**PLZ-RGD**  
*Non-standard drawbar*

3. Manufacturer's name and address:

**PALAZOGLU TARIM ALETLERI  
SANAYI VE TICARET LIMITED  
SIRKETI  
YENI KANDIRA YOLU UZERI 11.KM  
IZMIT(MRK) KOCAELI/TURKEY**

4. If applicable, name and address of the manufacturers representative:

**Alexandros Pavlidis  
57011 Vathilakos  
Thessaloniki/Greece**

5. Alternative supplier's names or trade marks applied to the device or component:

N/A

6. Name and address of the company or body taking responsibility for the conformity of production:

**See point 3. above**

7. Submitted for approval on:

**28.10.2020**

8. Technical service responsible for conducting approval tests:

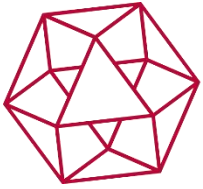
**TÜV AUSTRIA AUTOMOTIVE GMBH  
Deutschstraße 10  
A-1230 Wien**

9. Brief description

9.1 Type and class of device or component:

**Type: PLZ-RGD  
Class: E**

<sup>2</sup> Strike out what does not apply.



Approval No: E24\*55R01/08\*0569\*00

## 9.2 Characteristic values

### 9.2.1 Primary values:

D: --  
Dc: **120 kN**  
S: **3000 kg**  
U: --  
V: **58 kN**

### Alternative values:

D: --  
Dc: --  
S: --  
U: --  
V: --

## 9.3 For Class A mechanical coupling devices or components, including towing brackets:

Vehicle manufacturer's maximum permissible vehicle mass: *N/A*

Distribution of maximum permissible vehicle mass between the axles: *N/A*

Vehicle manufacturer's maximum permissible towable trailer mass: *N/A*

Vehicle manufacturer's maximum permissible static mass on coupling ball: *N/A*

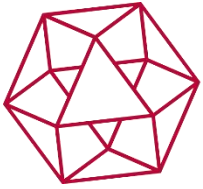
Maximum mass of vehicle, with bodywork, in running order, including coolant, oils, fuel, tools and spare wheel (if supplied)but not including driver: *N/A*

Loading condition under which the tow ball height of a mechanical coupling device fitted to category M1 vehicles is to be measured – see paragraph 2 of annex 7, appendix 1: *N/A*

9.4 For class B coupling heads, is the coupling head intended to be fitted to an unbraked O1 trailer: ~~yes/no~~<sup>2</sup> *N/A*

10. Instructions for the attachment of the coupling device or component type to the vehicle and photographs or drawings of the mounting points given by the manufacturer: *See manufacturer's documentation*

11. Information on the fitting of any special reinforcing brackets or plates or spacing components necessary for the attachment of the coupling device or component: *See manufacturer's documentation*



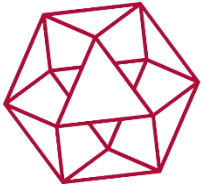
# NSAI

Approval No: E24\*55R01/08\*0569\*00

- |     |   |   |
|-----|---|---|
| 12. | Additional information where the use of coupling device or component is restricted to special types of vehicles - see annex 5, paragraph 3.4: | <i>See manufacturer's documentation</i>   |
| 13. | For Class K hook type couplings, details of the drawbar eyes suitable for use with the particular hook type:                                  | <i>N/A</i>                                |
| 14. | Date of test report:  | <i>27.10.2020</i>                         |
| 15. | Number of test report:  | <i>20-TAMO-0170</i>                       |
| 16. | Approval mark position:   | <i>On the plate fitted on the drawbar</i> |
| 17. | Reason(s) for extension of approval:  | <i>N/A</i>                                |
| 18. | Approval granted/ <del>extended/refused/withdrawn</del> :   | <i>Granted</i>                            |
| 19. | Place:  | <i>Dublin</i>                             |
| 20. | Date:   | <i>29<sup>th</sup> October, 2020</i>      |
| 21. | Signature:  |   |



22. The list of documents deposited with the Administration Service which has granted approval is annexed to this communication and may be obtained on request.



# NSAI

Approval No: E24\*55R01/08\*0569\*00

## Index to the Information Package

Date of issue:	<i>29<sup>th</sup> October, 2020</i>
Date of latest amendment:	<i>N/A</i>
Reason for extension/revision:	<i>N/A</i>
1. Additional conditions, and advisory notes on legal alternatives.	
2. Test report(s)	
- numbers(s):	<i>20-TAMO-0170</i>
- date of issue:	<i>27.10.2020</i>
- date of latest amendment:	<i>N/A</i>
3. Information document	
- number(s):	<i>R55-PLZ-RGD</i>
- date of issue:	<i>10.09.2020</i>
- date of latest amendment:	<i>N/A</i>
Documentation:	<i>17 pages</i>



Approval No: E24\*55R01/08\*0569\*00

Appendix: **Additional conditions, and advisory notes on legal alternatives**

A: Additional conditions:

1. The attached technical report, with any of its attachments, forms part of this Type Approval certificate.
2. Each type from series production shall be to the measurements specified in the attached drawings, and shall be manufactured only from the materials specified in the Approval documents.
3. Changes in the type are permitted only with the explicit permission of NSAI. Breaches of this requirement will lead to a withdrawal of the Type Approval, and in addition may be subject to criminal prosecution.
4. At regular intervals, any tests or associated checks prescribed by the applicable legislation to verify continued conformity with the approved type shall be carried out. The manufacturer shall demonstrate compliance with this by submitting to NSAI evidence of adequate arrangements and documented control plans for each type approved.
5. Any set of samples or test pieces showing evidence of non-conformity shall give rise to further sampling and testing and all steps shall be taken to restore conformity of production.
6. This Type Approval will expire when it is surrendered by the holder, or withdrawn by NSAI, or when the approved type no longer conforms to legal requirements. The recall of the Type Approval can be issued by NSAI when the conditions required for the issuing or continuation of the Type Approval are no longer current, or when the Approval holder is in breach of the duties attached to the Type Approval, or when it is established that the approved type no longer meets the requirements of traffic safety.
7. Changes in the company name, address or manufacturing site, as well as in any of the sales or other agents specified in the issuing of the approval must immediately be notified to NSAI.
8. The duties imposed by the issuing of this certificate are not transferable. The legal protection of third parties is not affected by this certificate.
9. When the manufacture or sale of the system, component or separate technical unit has not been started within one year of the date of issue of this certificate, then NSAI is to be informed. This requirement also applies when the manufacture or sale has been halted for more than one year, or when it ought to have been halted for more than one year. The initial commencement of manufacture or sale, or the resumption of manufacture or sale, shall then be notified to NSAI within one month of commencement or resumption.

B: Legal Options:

Any objection to the requirements set out in this certificate shall be made within one month of the date of issue. The objection shall be made, in writing, to NSAI in Dublin.

Aktenzeichen /File number  
20-TAMO-0170

Hersteller : PALAZOGLU TARIM ALETLERI  
Manufacturer : SANAYI VE TICARET LIMITED SIRKETI

Type : PLZ-RGD  
Type

Prüfgegenstand : Mechanical Coupling Components-Rigid Drawbar  
Subject

TÜV AUSTRIA AUTOMOTIVE GMBH  
Deutschstraße 10  
A-1230 Wien  
www.tuv.at



PBV-TAA-009 Rev. 01

## TECHNICAL REPORT

### 20-TAMO-0170


Mechanical Coupling Components

With regard to Directive / Regulation (EC/EU) / Regulation No. **ECE-R55**

Taking into consideration amendment No. **01** supplement **8**

Approval Status	
<input checked="" type="checkbox"/>	Granting of a type approval
<input type="checkbox"/>	Extension to type approvalnumber:
<input type="checkbox"/>	Correctionto type approvalnumber:

**1. General**

- 1.1. Trade name or mark of the device or component: 
- 1.2. Type of device or component: PLZ-RGD
- 1.3. Commercial description:
- 1.4. Manufacturer's name and address: PALAZOGLU TARIM ALETLERİ SANAYI VE TICARET LIMITED SIRKETI  
YENI KANDIRA YOLU UZERI 11.KM  
IZMIT(MRK) KOCAELI/TURKEY
- 1.5. Name and address(es) of assembly plant(s): PALAZOGLU TARIM ALETLERİ SANAYI VE TICARET LIMITED SIRKETI  
YENI KANDIRA YOLU UZERI 11.KM  
IZMIT(MRK) KOCAELI/TURKEY
- 1.6. Name and address of company or body taking responsibility for the conformity of production: PALAZOGLU TARIM ALETLERİ SANAYI VE TICARET LIMITED SIRKETI  
YENI KANDIRA YOLU UZERI 11.KM  
IZMIT(MRK) KOCAELI/TURKEY
- 1.7. Information folder : R55-PLZ-RGD  
Date of issue of information folder : 10.09.2020
- 1.8. Submitted approval on: 10.09.2020
- 1.9. Test Location Mobilite Laboratory  
Vezirçiftliği Mahallesi  
Akbaş Sokak 4/İnşaat İmalathane  
Başiskele/Kocaeli/TURKEY  
Test Date 05.10.2020-15.10.2020
- 1.10. Brief description:
- 1.10.1. Type and class of device or component: PLZ-RGD  
Class E

1.10.2. Characteristic values:

1.10.2.1 Primary values:

Dc: 120 kN  
S: 3000 kg  
U: NA  
V: 58 kN

Alternative values:

Not applicable

1.11. Instructions for the attachments of the coupling device or component type to the vehicle and photographs or drawings of the mounting points given by the vehicle manufacturer: See the manufacturer's information document

1.12. Approval mark position See the manufacturer's information document

1.13. Reason(s) for extension of approval: Not applicable



Aktenzeichen /File number  
20-TAMO-0170

Hersteller : PALAZOGLU TARIM ALETLERI  
Manufacturer : SANAYI VE TICARET LIMITED SIRKETI

Type : PLZ-RGD

Prüfgegenstand : Mechanical Coupling Components-Rigid Drawbar  
Subject

TÜV AUSTRIA AUTOMOTIVE GMBH  
Deutschstraße 10  
A-1230 Wien  
www.tuv.at



PBV-TAA-009 Rev. 01

## 2. Test report

### 2.1 Test conditions

#### 2.1.1 Testing Equipment used

Equipment	Equipment Serial Code	Next Calibration Date
<i>Tape Measure</i>	<i>91 / R19B701</i>	<i>05.12.2020</i>
<i>Calliper</i>	<i>154 / 20-1551</i>	<i>12.05.2021</i>
<i>Radius Gauge</i>	<i>89 / 19-59488</i>	<i>29.11.2020</i>
<i>Load Cell</i>	<i>141 / 64942.MOB.03</i>	<i>17.04.2022</i>

#### 2.1.2 Ambient conditions

Not applicable

### 3. Test results

#### 3.1 Selection of worst case

This test to cover the coupling only as detailed in manufacturers documentation.

#### 3.2 Selection of versions/variants for testing

PLZ-RGD



### 3.3 General statements

The mechanical coupling devices between motor vehicles and trailers are manufactured and attached in accordance with good engineering practice, and are safe to operate.

The mechanical coupling device is designed and manufactured so that in normal use, with proper maintenance and the timely replacement of wearing parts, they will continue to function satisfactorily.

The coupling device is supplied for assembly-line use by vehicle builders or bodybuilders. The provisions of installation and operating instructions for each coupling device can be dispensed with.

The materials used are those for which the properties relevant to the application are laid down in a standard or those for which the properties are given in the information. All parts of the mechanical coupling devices whose failure could result in separation of the two vehicles are made of steel.

The mechanical coupling devices satisfy the requirements of Annex 5 and Annex 6. The mechanical coupling devices have been tested in accordance to Annex 6, items 2.2. and 3.3. and 3.6.

The results according to Annex 6, items 3.3.3., 3.6.1. for drawbars and drawbar couplings.

Dc-value	<b>120 kN</b>	
Horizontal Test Force	: <b>+/- 0,6 x Dc</b>	<b>+/- 72 kN</b>
Vertical Test Force	: <b>+ S x g/1000 +/- 0,6 x V</b>	<b>+29.5 kN +/- 34,8 kN</b>
Number of cycles	: <b>2.000.000 cycles</b>	
Test frequency	: <b>2,5 Hz</b>	

The dynamic test performed with approximately sinusoidal load (alternating) with number of stress cycles appropriate to the material. No cracks or fractures shall occur.

#### 4. Annexes

Anlage 1 Informationsdokument 10 Seiten  
*Annex Information document Pages*

#### 5. Final Statement

The information document as mentioned under No. 1.7 and the type described there in are in compliance with the test specification mentioned above.

This report includes pages 1 to 7. The test report may be reproduced and published fully and by the client only.

Wien / Vienna, 27.10.2020

### TÜV AUSTRIA AUTOMOTIVE GMBH

- Benannter Technischer Dienst des Kraftfahrt-Bundesamtes (KBA),  
Registrier-Nummer KBA-P 00055-00  
*Designated Technical Service of Kraftfahrt-Bundesamt (KBA), Germany, Registration number KBA-P 00055-00*
- Benannter Technischer Dienst der National Standards Authority of Ireland  
(NSAI), Technical Service Number 103  
*Designated Technical Service by the National Standards Authority of Ireland (NSAI), Technical Service Number 103*


Walter Posch  
*Recognized Signature*



Zehra DOĞAN  
*Recognized Expert/Signature*

Date	10.09.2020
Revision Date	--
Revision Nr.	00
Document Nr.	R55-PLZ-RGD
Page	1 / 1

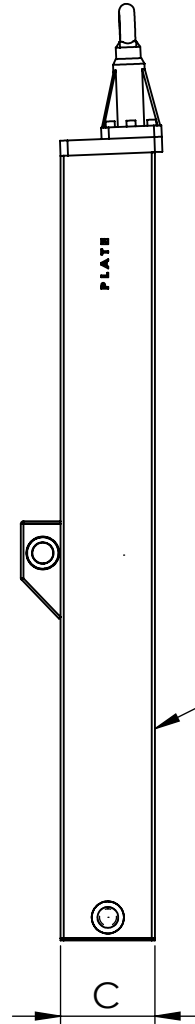
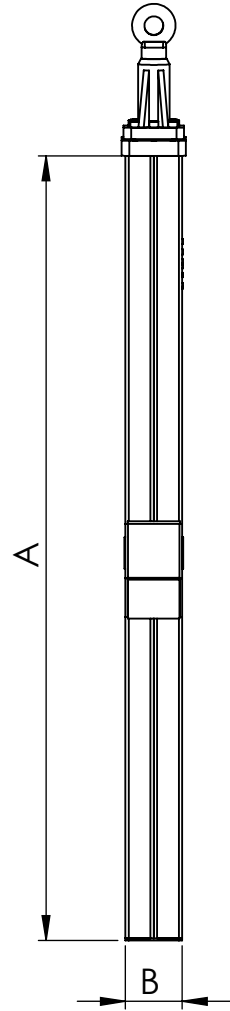
**ECE 55.01 Supplement 8  
UNIFORM PROVISIONS CONCERNING THE APPROVAL OF  
DRAWBAR COMPONENT OF COMBINATIONS OF VEHICLES**

1. Trade name or mark of the device or component: 
2. Manufacturer's name for the type of device or component : PLZ-RGD
3. Manufacturer's name and address :  
PALAZOGLU TARIM ALETLERI SANAYI VE TICARET LIMITED SIRKETI  
YENI KANDIRA YOLU UZERI 11.KM IZMIT(MRK)  
KOCAELI/TURKEY
4. If applicable, name and address of the manufacturer's representative :  
Alexandros Pavlidis  
57011 Vathilakos  
Thessaloniki/Greece
5. Name and address of company or body taking responsibility for the conformity of production :  
PALAZOGLU TARIM ALETLERI SANAYI VE TICARET LIMITED SIRKETI  
YENI KANDIRA YOLU UZERI 11.KM IZMIT(MRK)  
KOCAELI/TURKEY
6. Brief description :
  - 6.1. Type and class of device or component : PLZ-RGD / Class E
  - 6.2. Characteristic values : See 6.2.1
    - 6.2.1. Primary values:  

Dc: 120 kN    S: 3000 kg    U: NA    V: 58 kN
7. Instructions for the attachment of the coupling device or component type to the vehicle and photographs or drawings of the mounting points given by the vehicle manufacturer: See Annex-2
8. Location of ECE approval mark: On the plate fitted on the drawbar. See Annex-3

LIST OF ANNEXES		
Annex	Content	Number Of Pages
Annex-1	Technical Drawings of Drawbar	7
Annex-2	Drawbar Installation Maintenance Instruction	1
Annex-3	Location of Approval Mark	1





A min:1550mm±10mm

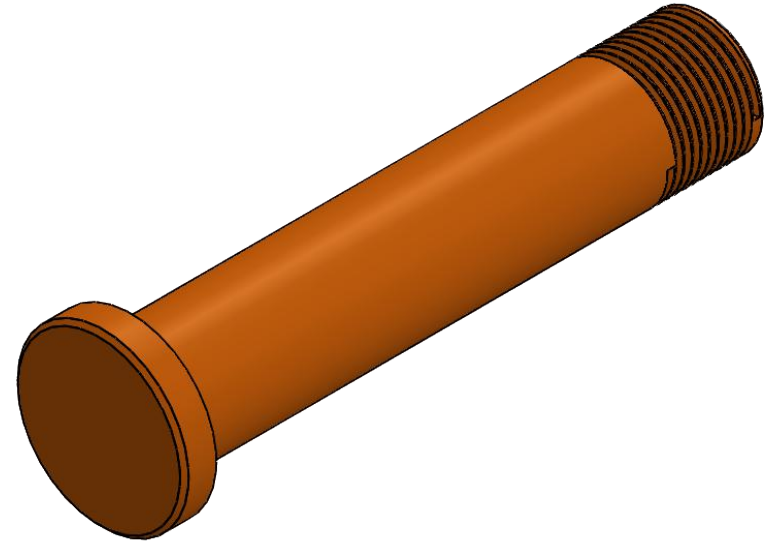
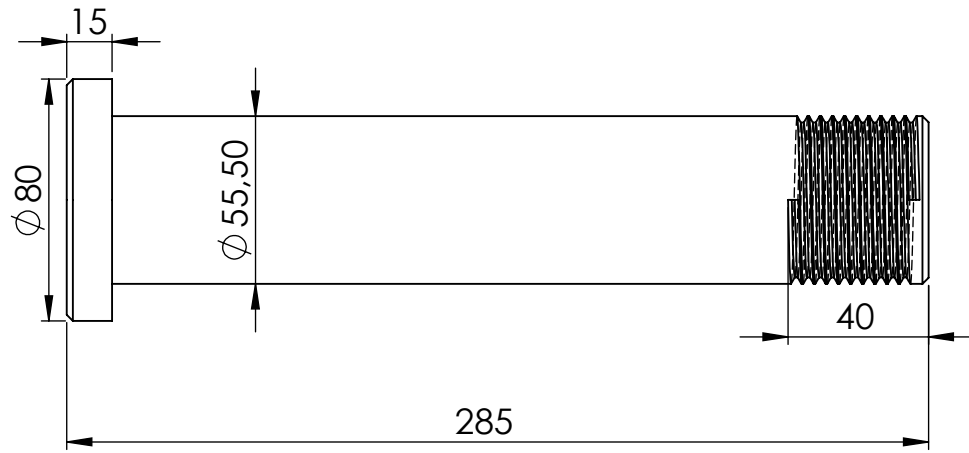
A max: 2500mm±10mm

B: 150mm±10mm

C: 250mm±10mm

Material: S235

1	SAYI	ADET	MALZEME	AĞIRLIK (KG)	YOĞUNLUK	U. KODU
			İSİM	TARİH	RIGID DRAWBAR-2	
ÇİZEN	Ceyhun D.	24.06.2020				
KONTROL	Ertan B.	24.06.2020				
ONAY	Barbaros P.	24.06.2020				
NOT :						

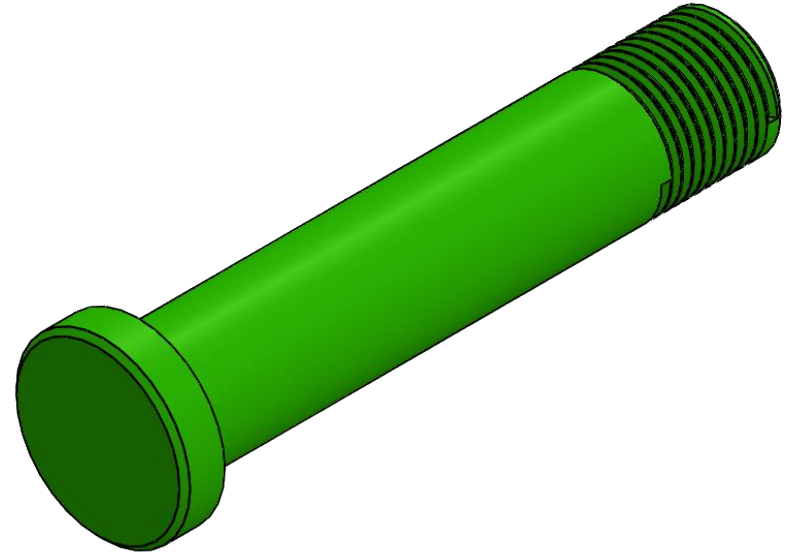
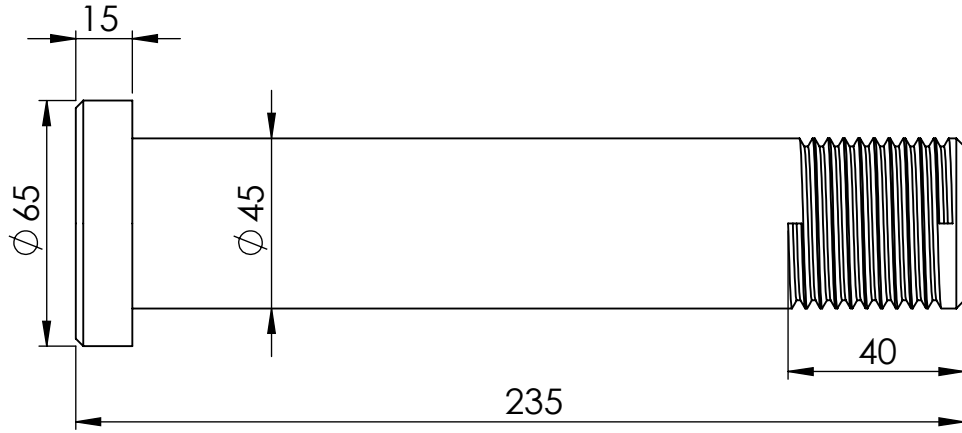


1	SAYI	ADET	MALZEME	AĞIRLIK (KG)	YOĞUNLUK	U. KODU
			İSİM			
			TARİH			
ÇİZEN			Ceyhun D.			
			24.06.2020			
KONTROL			Ertan B.			
			24.06.2020			
ONAY			Barbaros P.			
			24.06.2020			
NOT :						

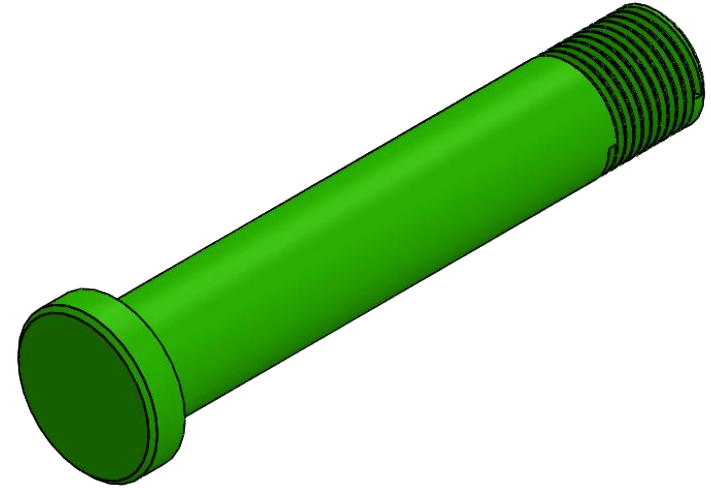
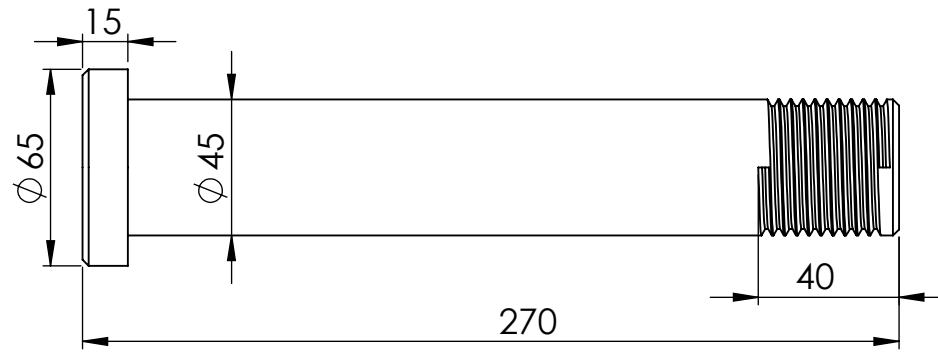
ARIŞ ÜSTÜ ÖN PİM



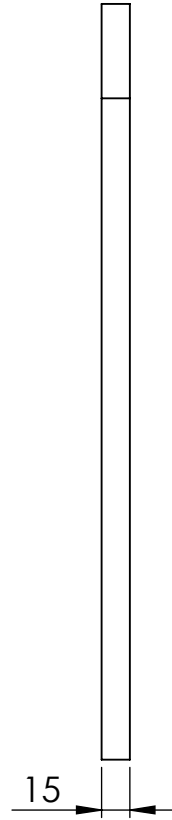
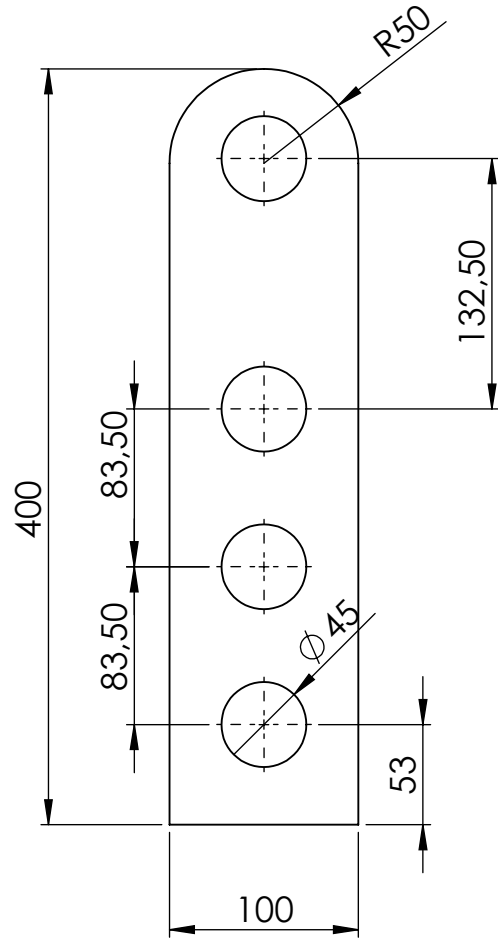




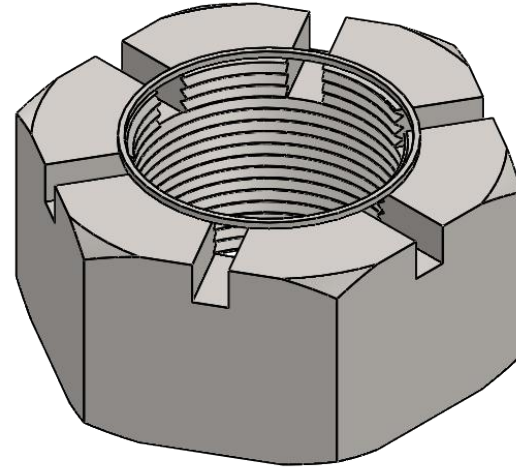
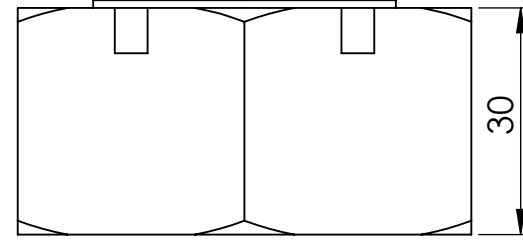
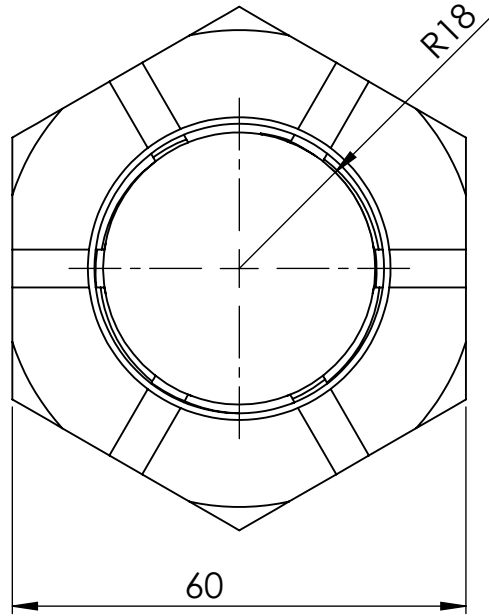
1						
SAYI	ADET	MALZEME		AĞIRLIK (KG)	YOĞUNLUK	U. KODU
		İSİM	TARİH	ARİŞ ARKA PİMİ		
ÇİZEN		Ceyhun D.	24.06.2020			
KONTROL		Ertan B.	24.06.2020			
ONAY		Barbaros P.	24.06.2020			
NOT :						



1	SAYI	ADET	MALZEME	AĞIRLIK (KG)	YOĞUNLUK	U. KODU
			İSİM	TARİH	ARIŞ ARKA ÜST PİMİ	
ÇİZEN	Ceyhun D.	24.06.2020				
KONTROL	Ertan B.	24.06.2020				
ONAY	Barbaros P.	24.06.2020				
NOT :						



1					
SAYI	ADET	MALZEME		AĞIRLIK (KG)	YOĞUNLUK
		İSİM	TARİH	ARIŞ BAĞLANTI SACI	
ÇİZEN		Ceyhun D.	24.06.2020		
KONTROL		Ertan B.	24.06.2020		
ONAY		Barbaros P.	24.06.2020		
NOT :					



SAYI	ADET	MALZEME		AĞIRLIK (KG)	YOĞUNLUK	U. KODU
		İSİM	TARİH			
ÇİZEN		Ceyhun D.	24.06.2020	60LIK TACLI SOMUN		
KONTROL		Ertan B.	24.06.2020			
ONAY		Barbaros P.	24.06.2020			
NOT :						

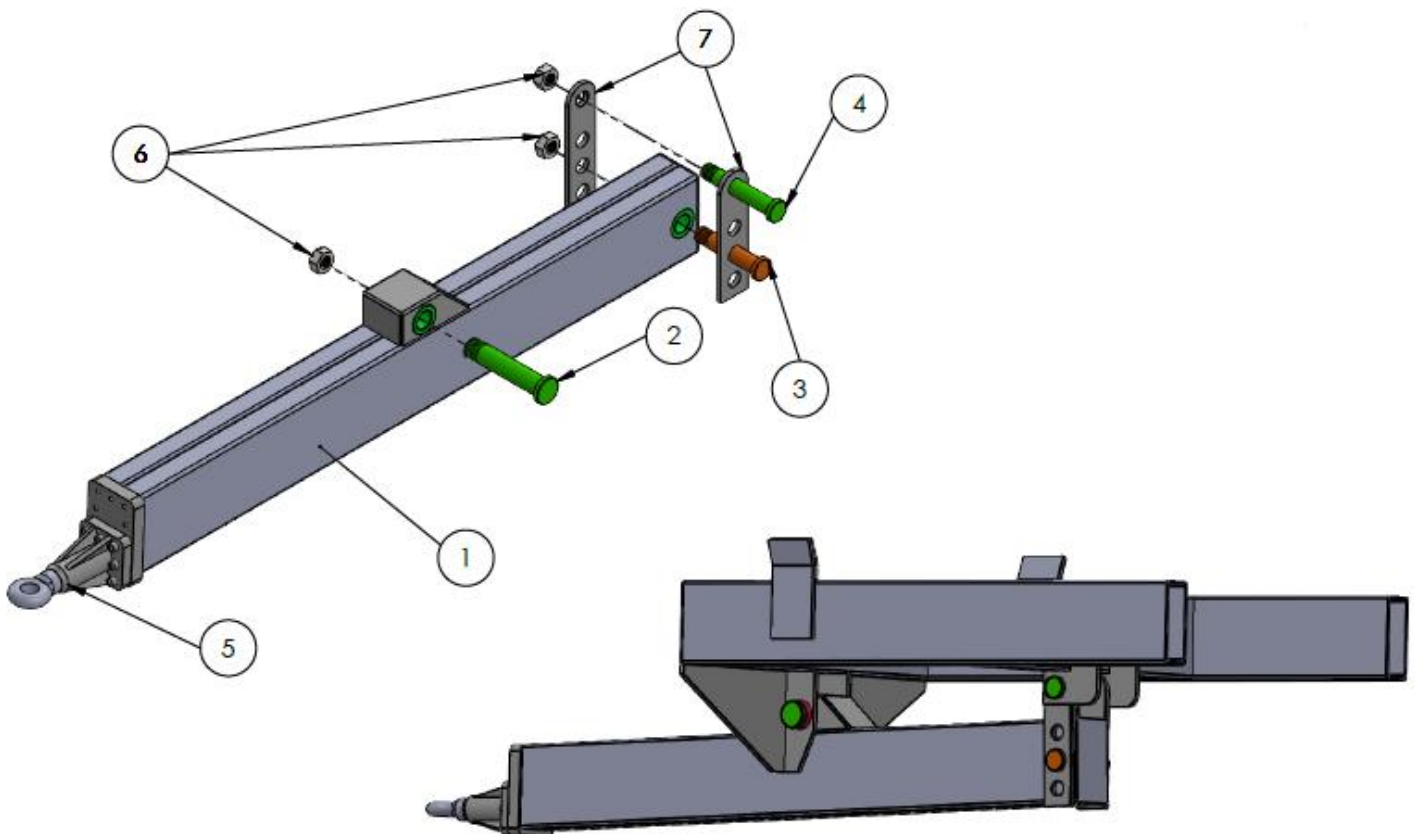
## INSTALLATION AND MAINTENANCE INSTRUCTIONS FOR NON-STANDARD DRAWBAR

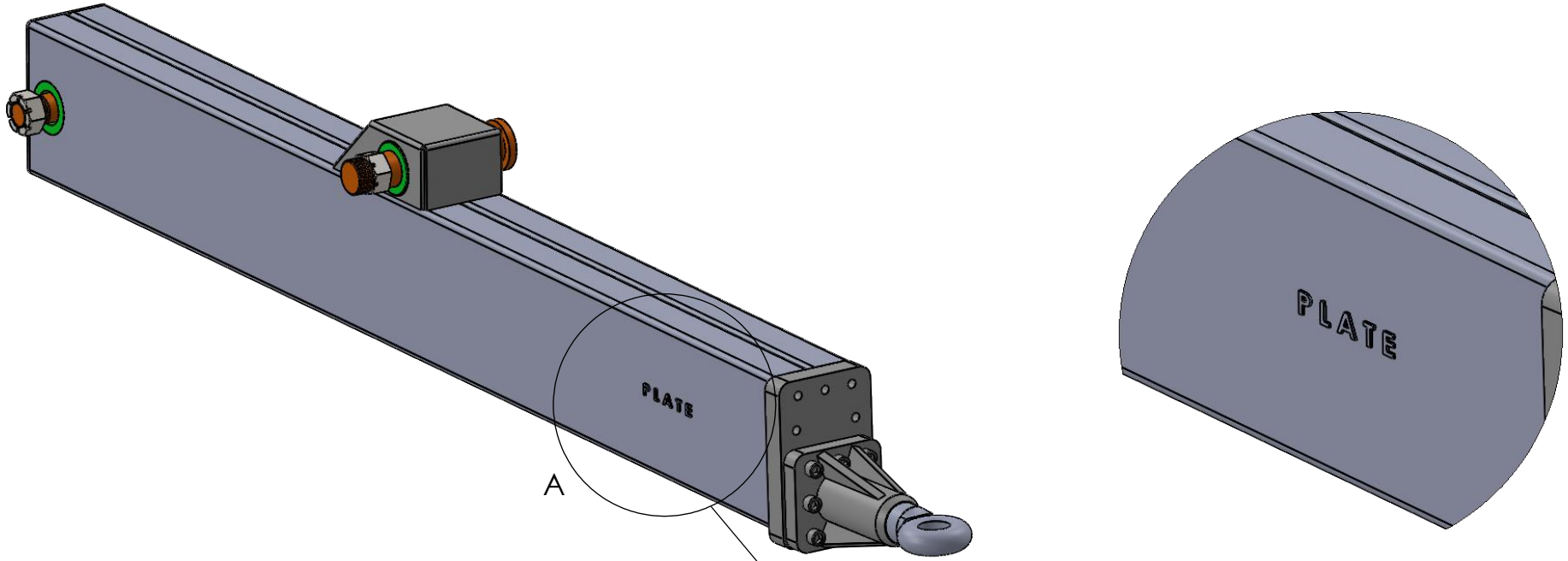
Palazoglu drawbars are homologated according ECE R55.01 as class E with:

Dc: 120 kN    S: 3000 kg    U: NA    V: 58 kN

1. Lift your trailer front side with jack as much as drawbar can fit under the trailer.
2. Secure your trailer with wedge, plate etc. for safety precaution.
3. Place the rigid drawbar under the front of trailer.
4. Connect the front connection pin (No:2) to front connector of trailer. And tighten the nut (No:6)
5. Place the connector plates (No:7) to each side of trailer chassis connector and fix it with pin (No:4)
6. Place the rigid drawbar (No:1) between connector plates (No:7)
7. Adjust the height of towing eye (No:5) using the position holes of connector plates (No:7).
8. Fasten rigid drawbar to connector plates with pin (No:3).
9. Check all nuts (No:6) if they tightened enough.

**CAUTION: Failure to follow these instructions may result in property damage, personal injury or even death. Our company shall not be liable for any damage whatsoever and howsoever caused, including improper or incorrect use, modifications, alterations or abuse. Our company reserves the right to make modifications any time.**





A (1 : 5)



1					
SAYI/ADET	MALZEME		AĞIRLIK (KG)	YOĞUNLUK	U. KODU
	İSİM	TARİH	RIGID DRAWBAR ETİKET GÖSTERİMİ		
ÇİZEN	Ceyhun D.	24.06.2020			
KONTROL	Ertan B.	24.06.2020			
ONAY	Barbaros P.	24.06.2020			
NOT :					