



**Référence:** E13\*55R01/07\*4690\*00

**Annexes:** - Rapport Technique  
- Fiche de Renseignements du constructeur

Luxembourg, le 24 avril 2020

**Communication concernant:** <sup>(2)</sup>  
Communication concerning:




- **la délivrance d'une homologation**  
approval granted
- ~~**l'extension d'homologation**~~  
approval extended
- ~~**le refus d'homologation**~~  
approval refused
- ~~**le retrait d'homologation**~~  
approval withdrawn
- ~~**l'arrêt définitif de la production**~~  
production definitely discontinued

**d'un type de dispositif ou de pièces mécaniques d'attelage en vertu du Règlement N° 55.**  
of a type of mechanical coupling device or component pursuant to Regulation N° 55.

**Numéro d'homologation:**  
Approval number:

E13\*55R01/07\*4690\*00

**Marque d'homologation:**  
Approval mark:

 55 R – 01 4690

1. **Marque de fabrique ou de commerce du dispositif ou des pièces:**  
Trade name or mark of the device or component: Palazoğlu
2. **Nom du fabricant du type du dispositif ou des pièces:**  
Manufacturer's name for the type of device or component: PLZ-ARS
3. **Nom et adresse du fabricant:**  
Manufacturer's name and address: PALAZOĞLU TARIM ALETLERİ  
SANAYİ VE TİCARET LİMİTED ŞİRKETİ  
YENİ KANDIRA YOLU ÜZERİ 11. KM  
İZMİT/KOCAELİ/TURKEY

- 4. Le cas échéant, nom et adresse du représentant du fabricant:**  
If applicable, name and address of manufacturer's representative:
- Alexandros Pavlidis  
57011 Vathilakos  
Thessaloniki/Greece
- 5. Noms et marques de fabrique d'autres fournisseurs figurant sur le dispositif ou les pièces:**  
Alternative supplier's names or trademarks applied to the device or component:
- None
- 6. Nom et adresse de la société ou de l'organisme chargé de vérifier la conformité de la production:**  
Name and address of company or body taking responsibility for the conformity of production:
- PALAZOĞLU TARIM ALETLERİ  
SANAYİ VE TİCARET LİMİTED ŞİRKETİ  
YENİ KANDIRA YOLU ÜZERİ 11. KM  
İZMİT/KOCAELİ/TURKEY
- 7. Soumis à l'homologation le:**  
Submitted for approval on:
- 01.11.2019
- 8. Autorité déléguée:**  
Assigned authority:
- Société Nationale de Certification et d'Homologation  
L-5201 Sandweiler*
- Service technique chargé des essais d'homologation:**  
Technical service responsible for conducting approval tests:
- Luxcontrol S.A.  
1, Av. des Terres Rouges  
L-4004 Esch-sur-Alzette
- 9. Description sommaire:**  
Brief description:
- 9.1. Type et classe du dispositif et des pièces:**  
Type and class of device or component:
- PLZ-ARS, Class E
- 9.2. Valeurs caractéristiques:**  
Characteristic values:
- 9.2.1. Valeurs de base:**  
Primary values:
- D / Dc [kN] 120 kN  
- S [kg]  
- U [t]  
- V [kN]  
- Av [t] 9 tonnes
- Autres valeurs:**  
Alternative values:
- D [kN]  
- Dc [kN]  
- S [kg]  
- U [t]  
- V [kN]
- Not applicable

- 9.3. Pour les dispositifs et les pièces mécaniques d'attelage de la classe A, y compris les barres d'attelage:**  
For Class A mechanical coupling devices or components, including towing brackets: Not applicable
- 9.3.1. Masse maximale admissible du véhicule selon le constructeur [kg]:**  
Maximum permissible vehicle mass as declared by the vehicle manufacturer: Not applicable
- 9.3.2. Répartition de la masse maximale admissible du véhicule entre les essieux [kg]:**  
Distribution of maximum permissible vehicle mass between the axles: Not applicable
- 9.3.3. Masse maximale admissible de la remorque selon le constructeur [kg]:**  
Vehicle manufacturer's maximum permissible towable trailer mass: Not applicable
- 9.3.4. Masse statique maximale admissible sur la boule d'attelage selon le constructeur [kg]:**  
Vehicle manufacturer's maximum permissible static mass on coupling ball: Not applicable
- 9.3.5. Masse maximale du véhicule avec sa carrosserie, en ordre de marche, y compris le liquide de refroidissement, les lubrifiants, le carburant, les outils et la roue de secours (si elle est fournie), mais à l'exclusion du conducteur [kg]:**  
Maximum mass of the vehicle, with bodywork, in running order, including coolant, oils, fuel, tools and spare wheel (if supplied) but not including driver: Not applicable
- 9.3.6. Condition de charge auxquelles la hauteur de la boule d'attelage des véhicules de la catégorie M1 doit être mesurée – voir paragraphe 2 de l'appendice 1 de l'annexe 7:**  
Loading condition under which the tow ball height of a mechanical coupling device fitted to category M1 vehicles is to be measured – see paragraph 2 of annex 7, appendix 1: Not applicable

- 9.4. Pour les têtes d'attelage de la classe B, la tête d'attelage est-elle destinée à être montée sur une remorque O1 non freinée: Oui/ Non 2**  
For class B coupling heads, is the coupling head intended to be fitted to an unbraked O1 trailer: Yes/ No
- Not applicable
- 10. Instructions relatives au montage du dispositif ou les pièces d'attelage sur le véhicule et photographies ou dessins des points de fixation (voir l'appendice 1 de l'annexe 2) indiqués par le constructeur du véhicule:**  
Instructions for the attachment of the coupling device or component type to the vehicle and photographs or drawings of the mounting points (see Annex 2, Appendix 1) given by the vehicle manufacturer:
- Refer to manufacturer's information document
- 11. Renseignements concernant le montage de barres ou de plaques de renfort spéciales ou d'entretoises nécessaires à la fixation du dispositif ou des pièces d'attelage (voir l'appendice 1 de l'annexe 2) :**  
Information on the fitting of any special reinforcing brackets or plates or spacing components necessary for the attachment of the coupling device or component (see Annex 2, Appendix 1):
- Not applicable
- 12. Renseignements supplémentaires pour les cas où l'utilisation du dispositif ou des pièces d'attelage est limitée à des types particuliers de véhicules (voir annexe 5, par. 3.4.):**  
Additional information where the use of the coupling device or component is restricted to special types of vehicles - see annex 5, paragraph 3.4.
- Not applicable
- 13. Pour les attelages à crochet de la classe K, renseignements concernant les anneaux de timon compatibles:**  
For Class K hook type couplings, details of the drawbar eyes suitable for use with the particular hook type:
- Not applicable

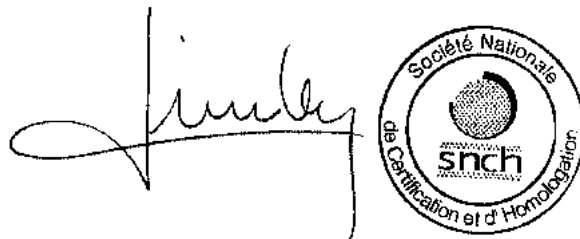
14. **Date du procès-verbal d'essai:** 14.04.2020  
Date of test report:
15. **Numéro du procès-verbal d'essai:** LC 1558 003 20  
Number of test report:
16. **Emplacement de la marque d'homologation:** Refer to manufacturer's information document  
Approval mark position: ( See Annex-3)
17. **Motif(s) de l'extension de l'homologation:** Not applicable  
Reason(s) for extension of approval:
18. **L'homologation:** <sup>(2)</sup> Granted / ~~extended~~ / ~~refused~~ / ~~withdrawn~~  
Approval:
19. **Fait à:** Luxembourg  
Place:
20. **Date:** 24 avril 2020  
Date:
21. **Signature:**  
Signature:

Pour le Ministre de la Mobilité  
et des Travaux publics



Alain DISVISCOUR  
Conseiller

Pour la SNCH



Laurent LINDEN  
Directeur opérationnel



22. **La liste annexée à la présente communication énumère les documents déposés auprès de l'autorité d'homologation de type ayant délivré l'homologation, qui peuvent être obtenus sur demande.**  
The list of documents deposited with the Type Approval Authority which has granted approval is annexed to this communication and may be obtained on request.

See index to type-approval report

<sup>2</sup> **Rayer les mentions inutiles**  
Strike out what does not apply



**Référence:** E13\*55R01/07\*4690\*00

**Annexes:** - Rapport Technique  
- Fiche de Renseignements du constructeur

Luxembourg, le 24 avril 2020

### Index du dossier d'homologation

Index to type-approval report

	<b>Numéro d'homologation:</b> Approval number:	E13*55R01/07*4690*00
	<b>Révision:</b> Revision:	00
	<b>Marque de fabrique ou de commerce:</b> Trade name or mark:	Palazoğlu
	<b>Type:</b> Type:	PLZ-ARS
1.	<b>Procès-verbal d'essai:</b> Test report:	LC 1558 003 20
	- Technical report:	Page 1 to 3
	- Index:	1 Page
	- Communication:	Page 1 & 2
	- Test results:	Page 1 & 2
2.	<b>Dossier du constructeur:</b> Report of the manufacturer:	Annex C
	- Manufacturer's information document:	Page 1 to 11
3.	<b>Autres documents annexés:</b> Other documents annexed:	Not applicable
4.	<b>Date de délivrance de l'homologation initiale:</b> Date of issue of initial type approval:	24.04.2020
5.	<b>Date de la dernière délivrance de pages révisées:</b> Date of last issue of revised pages:	Not applicable
6.	<b>Date de la dernière délivrance d'une homologation révisée:</b> Date of last extension:	Not applicable

## TECHNICAL REPORT

**No.: LC 1558 003 20**

Inspection concerning

### **Mechanical Coupling Components of Combinations of Vehicles**

performed according to

**ECE-Regulation No. 55**  
**series of amendments: 01**  
**Including supplement: 7**

Type approval previously granted: **Not applicable**

#### **Contents:**

1. General
  2. Test details
  3. Statement of compliance
- Index

A reproduction of this report and its annexes, except in full, is prohibited without the written permission of Luxcontrol s.a.



1. **General**

Manufacturer:

**PALAZOĞLU TARIM ALETLERİ  
SANAYİ VE TİCARET LİMİTED  
ŞİRKETİ  
YENİ KANDIRA YOLU ÜZERİ 11. KM  
İZMİT/KOCAELİ/TURKEY**

Vehicle Type

Or component or ESA or STU:

**PLZ-ARS**

2. **Test details**

	Inspector	Location of test:	Date of receipt of test item:	Date of test:
Main report	Erdal Çınarcı (Type Approval Engineer)  Onur Yavuz (Type Approval Engineer)	Karadenizliler Mah. Fakülte Cad. Kahraman Sok. No:13 Başiskele/Kocaeli/Turkey	01.11.2019	14.02.2020- 24.02.2020

2.1. **Remarks**

2.1.1. Main report:

**Not applicable.**





**3. Statement of compliance**

The inspection items and measurements carried out have shown the compliance of the type described in this technical report and the attached Annexes with the requirements of the standard as stated on page 1.

Istanbul/Turkey, April 14, 2020

Luxcontrol s.a.  
Service Homologation-automobile

Erdal Çınarcı  
Ingénieur-Inspecteur

Zehra Doğan  
Ingénieur-Inspecteur

Annexes



Details to the information package, including a summary in chronological order, concerning extensions and/or amendments

Type-approval previously granted: **Not applicable**

---

### **Main Report**

Technical Report No.:	LC 1558 003 20	3 Pages
	Index	1 Page

List of Annexes:

A: Communication as numbered in the standard	2 Pages
B: Test results	2 Pages
C: Information folder	11 Pages

### **Content of the information folder:**

- Manufacturer's information document (page 1)
  - Annex 1: technical drawing of drawbar (page 2 to 9)
  - Annex 2: drawbar eye installation and maintenance instruction (page 10)
  - Annex 3: location of approval mark (page 11)
-



## **COMMUNICATION AS NUMBERED [] IN THE STANDARD**

[1.]	Trade name or mark of the device or component:	Palazoğlu
[2.]	Manufacturer's name for the type of device or component:	PLZ-ARS
[3.]	Manufacturer's name and address:	PALAZOĞLU TARIM ALETLERİ SANAYİ VE TİCARET LİMİTED ŞİRKETİ YENİ KANDIRA YOLU ÜZERİ 11. KM İZMİT/KOCAELİ/TURKEY
[4.]	If applicable, name and address of the manufacturer's representative:	Alexandros Pavlidis 57011 Vathilakos Thessaloniki/Greece
[5.]	Alternative supplier's names or trade marks applied to the device or component:	None
[6.]	Name and address of company or body taking responsibility for the conformity of production:	PALAZOĞLU TARIM ALETLERİ SANAYİ VE TİCARET LİMİTED ŞİRKETİ YENİ KANDIRA YOLU ÜZERİ 11. KM İZMİT/KOCAELİ/TURKEY
[7.]	Submitted for approval on:	01.11.2019
[9.]	Brief description:	
[9.1.]	Type and class of device or component:	PLZ-ARS Class E
[9.2.]	Characteristic values:	
[9.2.1.]	Primary values:	D: 120 kN Dc: -- S: -- U: -- V: -- Av: 9 tonnes
	Alternative values:	Not applicable



[9.3.]	For Class A mechanical coupling devices or components, including towing brackets:	Not applicable
[9.4.]	For Class B coupling heads, is the coupling head intended to be fitted to an unbraked O1 trailer:	Not applicable
[10.]	Instructions for the attachments of the coupling device or component type to the vehicle and photographs or drawings of the mounting points given by the vehicle manufacturer:	See the manufacturer's information document
[11.]	Information on the fitting of any special reinforcing brackets or plates or spacing components necessary for the attachment of the coupling device or component:	Not applicable
[12.]	Additional information where the use of the coupling device or component is restricted to special types of vehicles – see annex 5, paragraph 3.4.:	Not applicable
[13.]	For Class K hook type couplings, details of the drawbar eyes suitable for use with the particular hook type:	Not applicable
[16.]	Approval mark position	See the manufacturer's information document (See Annex-3)
[17.]	Reason(s) for extension of approval:	Not applicable

1. **Test results:**

1.1. **Version of the tested vehicle or Information concerning the ~~vehicle type~~ / component and the requested approval**

Following version(s) has (have) been used for testing: PLZ-ARS



1.1.1. **General**

The mechanical coupling devices between motor vehicles and trailers are manufactured and attached in accordance with good engineering practice, and are safe to operate.

The mechanical coupling device is designed and manufactured so that in normal use, with proper maintenance and the timely replacement of wearing parts, they will continue to function satisfactorily.

The coupling device is supplied for assembly-line use by vehicle builders or bodybuilders. The provisions of installation and operating instructions for each coupling device can be dispensed with.

The materials used are those for which the properties relevant to the application are laid down in a standard or those for which the properties are given in the information.

All parts of the mechanical coupling devices whose failure could result in separation of the two vehicles are made of steel.

The mechanical coupling devices satisfy the requirements of Annex 5 and Annex 6.



The mechanical coupling devices have been tested in accordance to Annex 6, items 2.2. and 3.3. and 3.6.

1.1.2.

Test results

The results according to Annex 6, items 3.3.2., 3.6.2. and 3.6.3. for drawbars and drawbar couplings.

D-value	:	<b>120 kN</b>
Test force	:	<b>+/- 72 kN</b>
Number of cycles	:	<b>2.000.000 cycles</b>
Test frequency	:	<b>2,5 Hz</b>

The dynamic test performed with approximately sinusoidal load (alternating and/or pulsating) with a number of stress cycles appropriate to the material. No cracks or fractures shall occur.

The dynamic test performed with approximately sinusoidal load (alternating and/or pulsating) with a number of stress cycles appropriate to the material. No cracks or fractures shall occur.

For drawbars for full trailers with free movement in the vertical plane, in addition to the endurance test or theoretical verification of strength, the resistance to buckling shall be verified either by a theoretical calculation with a design force of  $3.0 \times D$  or by a buckling test with a force of  $3.0 \times D$ . The permissible stresses in the case of calculation shall be in accordance with paragraph 5.3. of ISO 7641/1:1983.

In the case of steered axles, the resistance to bending shall be verified by theoretical calculations or by a bending test. A horizontal, lateral static force shall be applied in the center of the coupling point. The magnitude of this force shall be chosen so that a moment of  $0.6 \times A_v \times g$  (kNm) is exerted about the front axle center. The permissible stresses shall be in accordance with paragraph 5.3. of ISO 7641/1:19

1.2.

Remarks

The inspection results are only applicable to items which have been tested.

1.3.

Test facilities

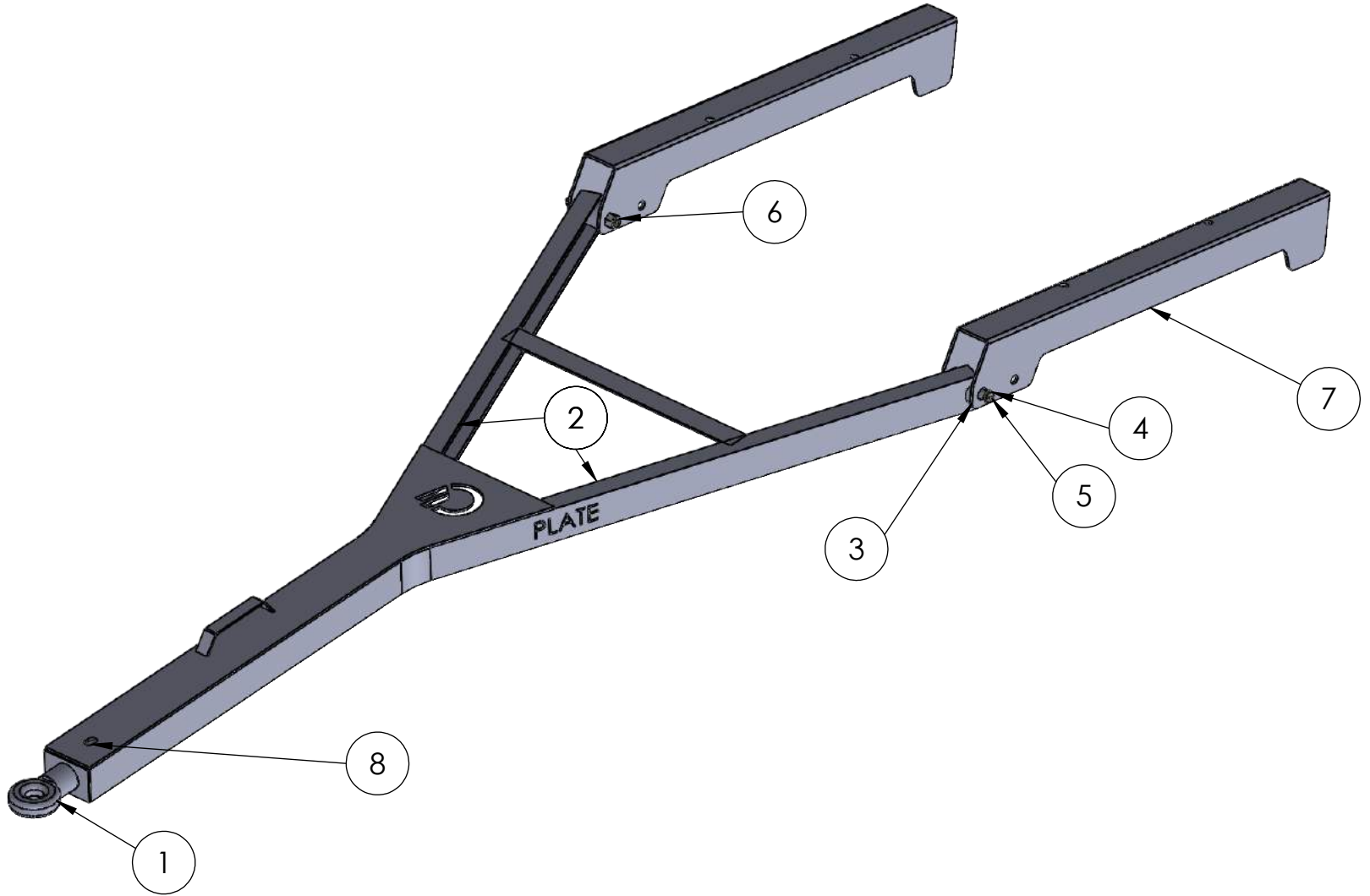
Calibration of measuring and test equipment used to carry out the inspections is in accordance with the standard stated on page 1 of this report and with ISO 17025.

---

**ECE 55.01**  
**UNIFORM PROVISIONS CONCERNING THE APPROVAL OF**  
**DRAWBAR COMPONENT OF COMBINATIONS OF VEHICLES**

1. Trade name or mark of the device or component: Palazoğlu
2. Manufacturer's name for the type of device or component : PLZ-ARS
3. Manufacturer's name and address :  
PALAZOĞLU TARIM ALETLERİ SANAYİ VE TİCARET LİMİTED ŞİRKETİ  
YENİ KANDIRA YOLU ÜZERİ 11.KM  
İZMİT/KOCAELİ/TURKEY
4. If applicable, name and address of the manufacturer's representative : Alexandros Pavlidis  
57011 Vathilakos  
Thessaloniki/Greece
5. Name and address of company or body taking responsibility for the conformity of production :  
PALAZOĞLU TARIM ALETLERİ SANAYİ VE TİCARET LİMİTED ŞİRKETİ  
YENİ KANDIRA YOLU ÜZERİ 11.KM  
İZMİT/KOCAELİ/TURKEY
6. Brief description:
  - 6.1. Type and class of device or component : PLZ-ARS / Class E
  - 6.2. Characteristic values : See 6.2.1
    - 6.2.1. Primary values:  
D: 120 kN Dc: -- S: -- U: -- V: -- Av: 9 tonnes
7. Instructions for the attachment of the coupling device or component type to the vehicle and photographs or drawings of the mounting points given by the vehicle manufacturer: See Annex 2
8. Location of ECE approval mark: On a riveted attachment Drawbar: See Annex 3

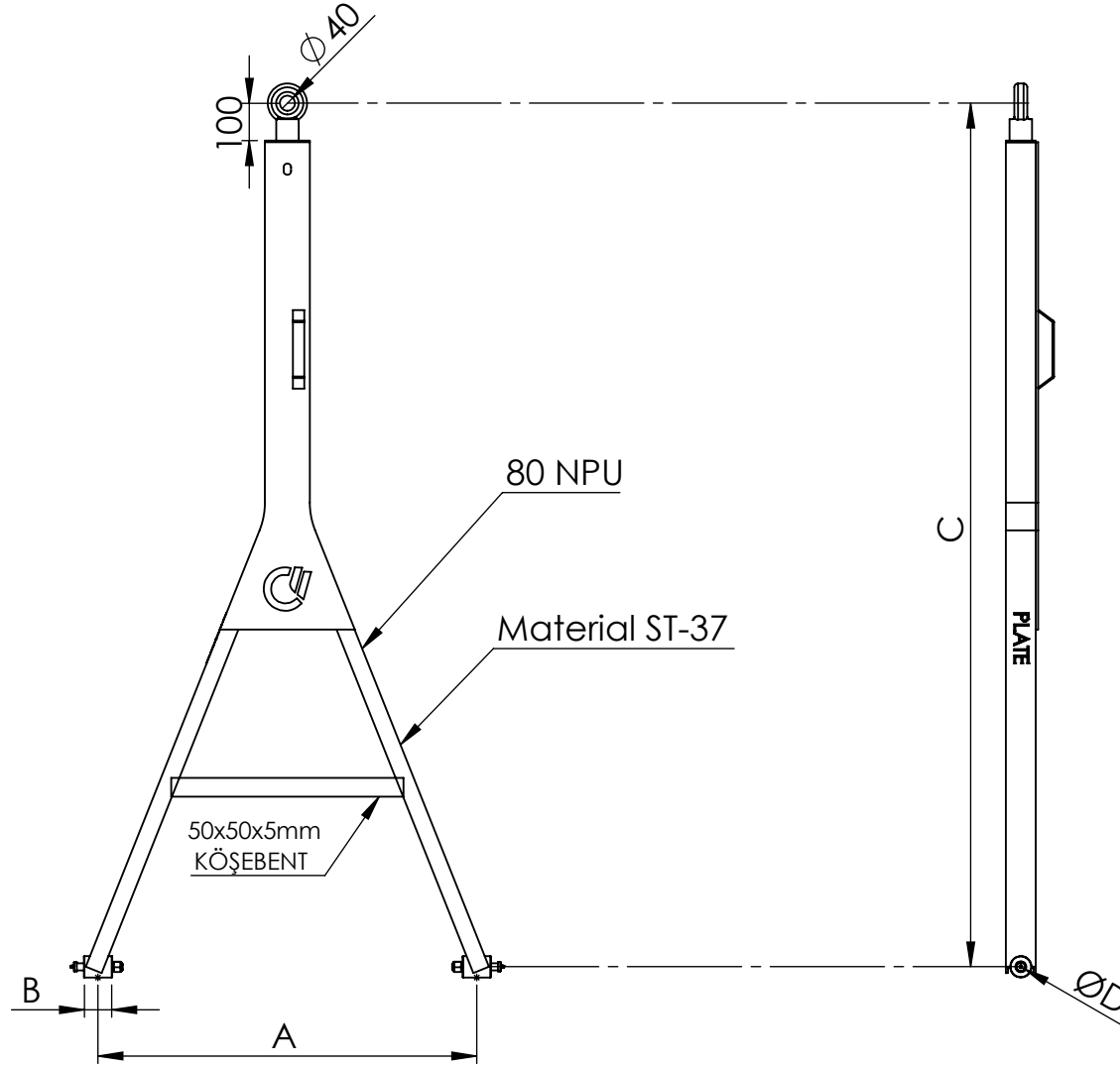
<b>LIST OF ANNEXES</b>		
<b>Annex</b>	<b>Content</b>	<b>Number Of Pages</b>
Annex – 1	Technical Drawing Of Drawbar	2-9
Annex – 2	Drawbar Eye Installation Maintenance Instruction	10
Annex – 3	Location Of Approval Mark	11



1	SAYI	ADET	MALZEME	AĞIRLIK (KG)	YOĞUNLUK	U. KODU
ÇİZEN	Ceyhun D.	29.01.2020	DÖNERLİ RÖMORK ARIŞI			
KONTROL	Ertan B.	29.01.2020				
ONAY	Barbaros P.	29.01.2020				
NOT :						

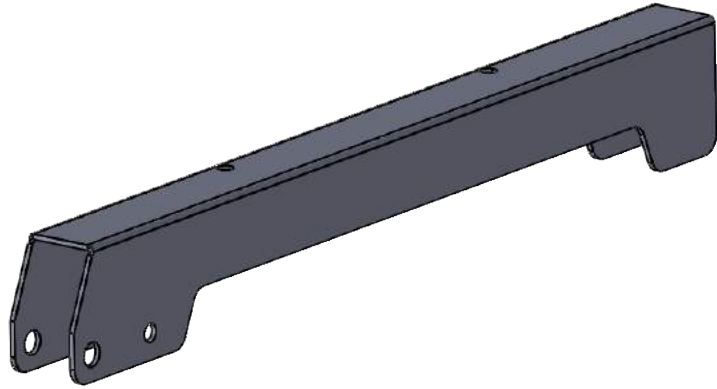
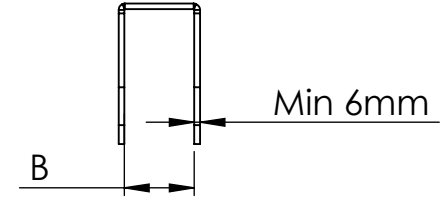
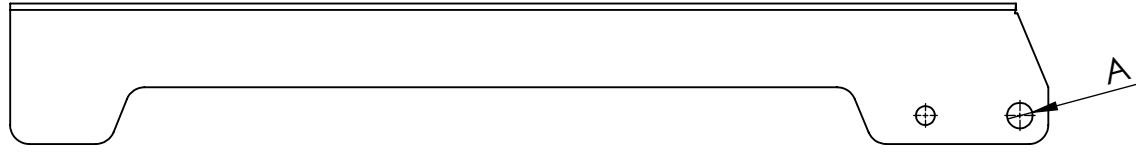
MALZEME NO	MALZEME İSMİ	ADET
1	OKBAŞI	1
2	ARIŞ NPU	2
3	PERNO YATAĞI	2
4	PERNO	2
5	GRESÖRLÜK 5/16	1
6	PERNO SOMUNU	2
7	ARIŞ BAĞLANTI SACI	2
8	GRESÖRLÜK 1/4	1





A min : 1010mm  $\pm$  20mm  
 A max: 1210mm  $\pm$  20mm  
 B: 75mm  $\pm$  10mm  
 Cmin: 1700mm  $\pm$  10mm  
 Cmax: 2300mm  $\pm$  10mm  
 D min: 19mm  $\pm$  0,5mm  
 D max: 27mm  $\pm$  0,5mm

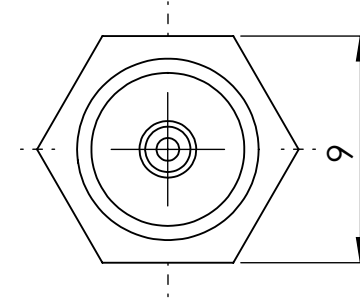
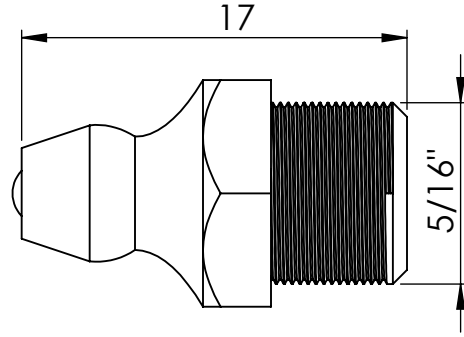
1	SAYI	ADET	MALZEME	AĞIRLIK (KG)	YOĞUNLUK	U. KODU
			İSİM	TARİH	DÖNER TABLALI RÖMORK ARIŞI	
ÇİZEN		Ceyhun D.	31.01.2020			
KONTROL		Ertan B.	31.01.2020			
ONAY		Barbaros P.	31.01.2020			
NOT :						



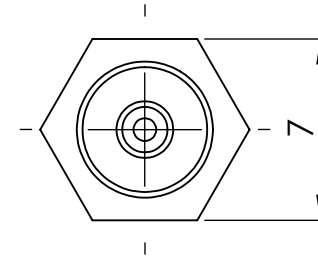
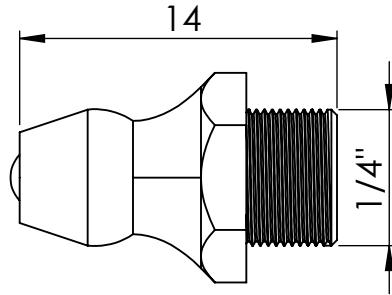
	Min	Max
A	27mm	-
B	75mm	105mm

1	SAYI	ADET	MALZEME	AĞIRLIK (KG)	YOĞUNLUK	U. KODU
			İSİM	TARİH	<b>ARIŞ BAĞLANTI SACI</b> 	
ÇİZEN	Ceyhun D.	31.01.2020				
KONTROL	Ertan B.	31.01.2020				
ONAY	Barbaros P.	31.01.2020				
NOT :						

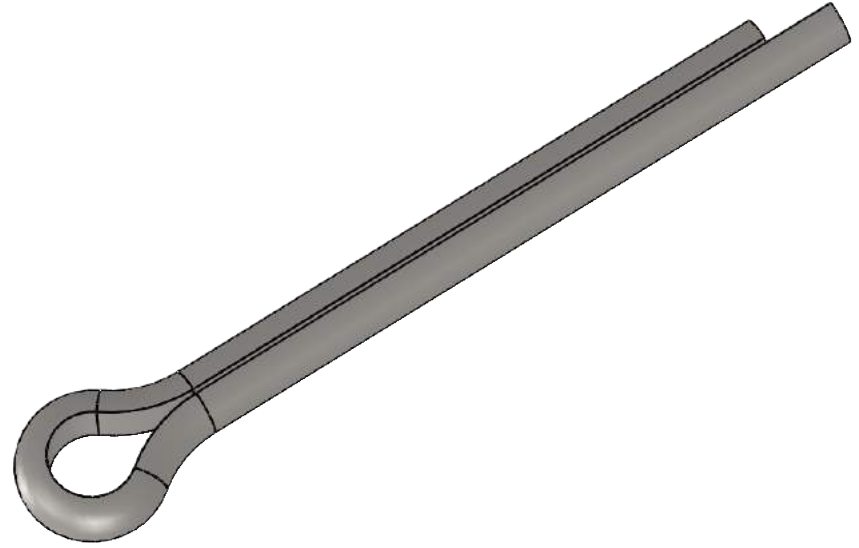
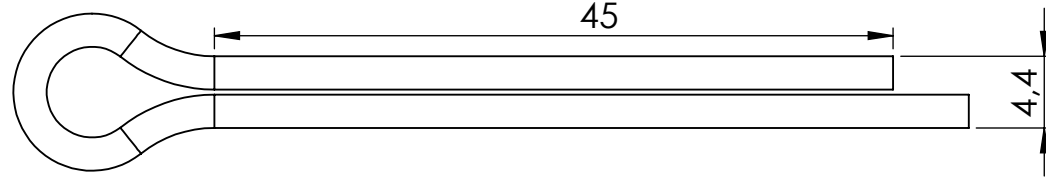
Gresörlük Büyük




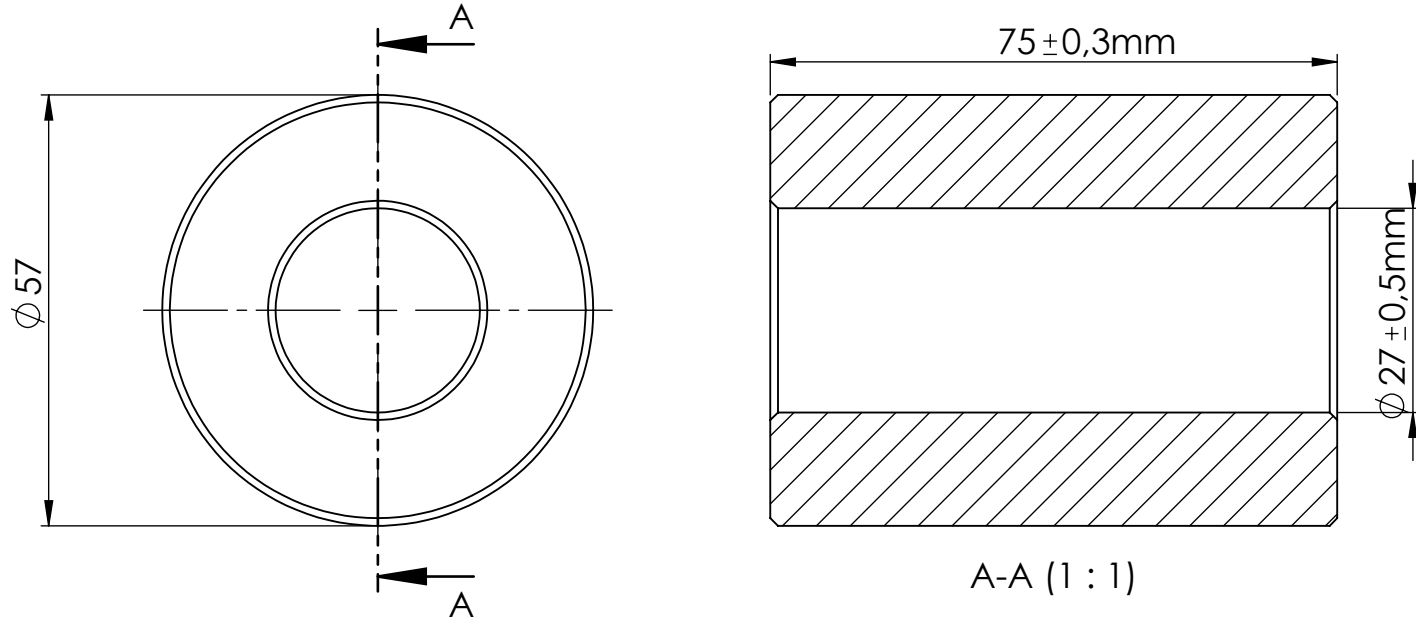
Gresörlük Küçük



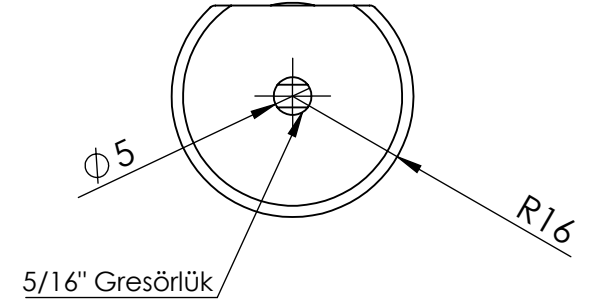
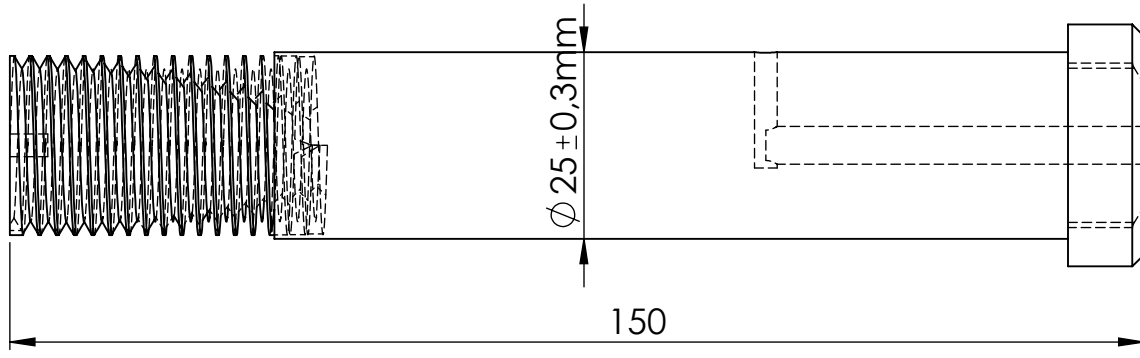
SAYI	ADET	MALZEME		AĞIRLIK (KG)	YOĞUNLUK	U. KODU
		İSİM	TARİH			
ÇİZEN		Ceyhun D.	31.01.2020	<b>GRESÖRLÜKLER</b> 		
KONTROL		Ertan B.	31.01.2020			
ONAY		Barbaros P.	31.01.2020			
NOT :						



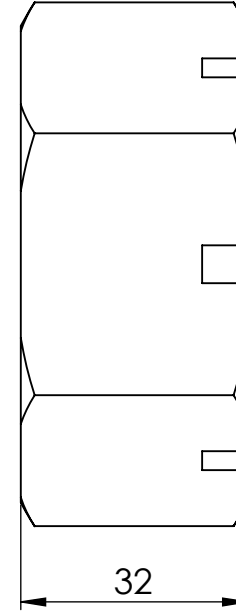
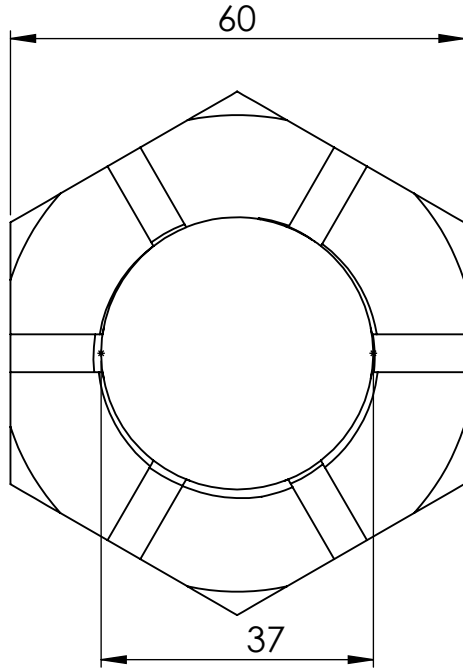
1	SAYI	ADET	MALZEME	AĞIRLIK (KG)	YOĞUNLUK	U. KODU
			İSİM	TARİH	KOPİLYA	
ÇİZEN	Ceyhun D.	31.01.2020				
KONTROL	Ertan B.	31.01.2020				
ONAY	Barbaros P.	31.01.2020				
NOT :						



SAYI	ADET	MALZEME		AĞIRLIK (KG)	YOĞUNLUK	U. KODU
		İSİM	TARİH			
ÇİZEN	Ceyhun D.	31.01.2020	PERNO YATAĞI			
KONTROL	Ertan B.	31.01.2020				
ONAY	Barbaros P.	31.01.2020				
NOT :						



SAYI	ADET	MALZEME		AĞIRLIK (KG)	YOĞUNLUK	U. KODU
		İSİM	TARİH			
ÇİZEN		Ceyhun D.	31.01.2020	ARİŞ BAĞLANTI PERNOSU		
KONTROL		Ertan B.	31.01.2020			
ONAY		Barbaros P.	31.01.2020			
NOT :						



1	SAYI	ADET	MALZEME		AĞIRLIK (KG)	YOĞUNLUK	U. KODU
			İSİM	TARİH			
ÇİZEN	Ceyhun D.	31.01.2020	60LIK TAÇLI SOMUN				
KONTROL	Erhan B.	31.01.2020					
ONAY	Barbaros P.	31.01.2020					
NOT :							

## INSTALLATION AND MAINTENANCE INSTRUCTIONS FOR NON-STANDARD DRAWBAR

Palazoglu drawbars are homologated according E CE R55 as class E with a:  
 D- value: 120 kN      Av=9 TONNES (For hinged drawbar)

### Installation And Maintenance Instruction

1. The drawbar connector plate to be used for mounting must be at least 6 mm thickness. And it must be welded to the vehicle chassis. (No 7)
2. Drawbar must be connected to drawbar connector which is welded on chassis with pin (No 4)
3. Drawbar connector pin should be greased from gressor periodically. (No 5)
4. Must be sure connector pins tighten enough. (No 4)
5. Must be sure that drawbar does not come off after fixing.
6. There must be at least 5 mm clearance between the towing eye and the pin of the tractor mounting bearing. Separate spacing should also be provided on the vertical axis. (No 3)

**CAUTION: Failure to follow these instructions may result in property damage, personal injury or even death. Our company shall not be liable for any damage whatsoever and howsoever caused, including improper or incorrect use, modifications, alterations or abuse. Our company reserves the right to make modifications any time.**

