

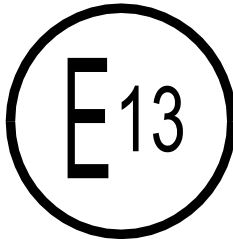


Référence: E13*55R01/07*4691*00

Annexes: - Rapport Technique
- Fiche de Renseignements du constructeur

Luxembourg, le 28 avril 2020

Communication concernant: ⁽²⁾
Communication concerning:




- **la délivrance d'une homologation**
approval granted
- ~~**l'extension d'homologation**~~
approval extended
- ~~**le refus d'homologation**~~
approval refused
- ~~**le retrait d'homologation**~~
approval withdrawn
- ~~**l'arrêt définitif de la production**~~
production definitely discontinued

d'un type de dispositif ou de pièces mécaniques d'attelage en vertu du Règlement N° 55.
of a type of mechanical coupling device or component pursuant to Regulation N° 55.

Numéro d'homologation:
Approval number:

E13*55R01/07*4691*00

Marque d'homologation:
Approval mark:

 55 R – 01 4691

1. **Marque de fabrique ou de commerce du dispositif ou des pièces:**
Trade name or mark of the device or component: Palazoğlu
2. **Nom du fabricant du type du dispositif ou des pièces:**
Manufacturer's name for the type of device or component: PLZ-OK
3. **Nom et adresse du fabricant:**
Manufacturer's name and address: PALAZOĞLU TARIM ALETLERİ
SANAYİ VE TİCARET LİMİTED ŞİRKETİ
YENİ KANDIRA YOLU ÜZERİ 11. KM
İZMİT/KOCAELİ/TURKEY

- 4. Le cas échéant, nom et adresse du représentant du fabricant:**
If applicable, name and address of manufacturer's representative:
- Alexandros Pavlidis
57011 Vathilakos
Thessaloniki/Greece
- 5. Noms et marques de fabrique d'autres fournisseurs figurant sur le dispositif ou les pièces:**
Alternative supplier's names or trademarks applied to the device or component:
- None
- 6. Nom et adresse de la société ou de l'organisme chargé de vérifier la conformité de la production:**
Name and address of company or body taking responsibility for the conformity of production:
- PALAZOĞLU TARIM ALETLERİ
SANAYİ VE TİCARET LİMİTED ŞİRKETİ
YENİ KANDIRA YOLU ÜZERİ 11. KM
İZMİT/KOCAELİ/TURKEY
- 7. Soumis à l'homologation le:**
Submitted for approval on:
- 01.11.2019
- 8. Autorité déléguée:**
Assigned authority:
- Société Nationale de Certification et d'Homologation
L-5201 Sandweiler*
- Service technique chargé des essais d'homologation:**
Technical service responsible for conducting approval tests:
- Luxcontrol S.A.
1, Av. des Terres Rouges
L-4004 Esch-sur-Alzette
- 9. Description sommaire:**
Brief description:
- 9.1. Type et classe du dispositif et des pièces:**
Type and class of device or component:
- PLZ-ARS, Class S
- 9.2. Valeurs caractéristiques:**
Characteristic values:
- 9.2.1. Valeurs de base:**
Primary values:
- | | |
|---------------|----------------|
| - D / Dc [kN] | 115 kN / 55 kN |
| - S [kg] | 3000 kg |
| - U [t] | |
| - V [kN] | 18 kN |
| - Av [t] | |
- Autres valeurs:**
Alternative values:
- | | |
|-----------|--|
| - D [kN] | |
| - Dc [kN] | |
| - S [kg] | |
| - U [t] | |
| - V [kN] | |
- Not applicable

- 9.3. Pour les dispositifs et les pièces mécaniques d'attelage de la classe A, y compris les barres d'attelage:**
For Class A mechanical coupling devices or components, including towing brackets: Not applicable
- 9.3.1. Masse maximale admissible du véhicule selon le constructeur [kg]:**
Maximum permissible vehicle mass as declared by the vehicle manufacturer: Not applicable
- 9.3.2. Répartition de la masse maximale admissible du véhicule entre les essieux [kg]:**
Distribution of maximum permissible vehicle mass between the axles: Not applicable
- 9.3.3. Masse maximale admissible de la remorque selon le constructeur [kg]:**
Vehicle manufacturer's maximum permissible towable trailer mass: Not applicable
- 9.3.4. Masse statique maximale admissible sur la boule d'attelage selon le constructeur [kg]:**
Vehicle manufacturer's maximum permissible static mass on coupling ball: Not applicable
- 9.3.5. Masse maximale du véhicule avec sa carrosserie, en ordre de marche, y compris le liquide de refroidissement, les lubrifiants, le carburant, les outils et la roue de secours (si elle est fournie), mais à l'exclusion du conducteur [kg]:**
Maximum mass of the vehicle, with bodywork, in running order, including coolant, oils, fuel, tools and spare wheel (if supplied) but not including driver: Not applicable
- 9.3.6. Condition de charge auxquelles la hauteur de la boule d'attelage des véhicules de la catégorie M1 doit être mesurée – voir paragraphe 2 de l'appendice 1 de l'annexe 7:**
Loading condition under which the tow ball height of a mechanical coupling device fitted to category M1 vehicles is to be measured – see paragraph 2 of annex 7, appendix 1: Not applicable

- 9.4. **Pour les têtes d'attelage de la classe B, la tête d'attelage est-elle destinée à être montée sur une remorque O1 non freinée: Oui/ Non 2**
For class B coupling heads, is the coupling head intended to be fitted to an unbraked O1 trailer: Yes/ No
- Not applicable
10. **Instructions relatives au montage du dispositif ou les pièces d'attelage sur le véhicule et photographies ou dessins des points de fixation (voir l'appendice 1 de l'annexe 2) indiqués par le constructeur du véhicule:**
Instructions for the attachment of the coupling device or component type to the vehicle and photographs or drawings of the mounting points (see Annex 2, Appendix 1) given by the vehicle manufacturer:
- Refer to manufacturer's information document
11. **Renseignements concernant le montage de barres ou de plaques de renfort spéciales ou d'entretoises nécessaires à la fixation du dispositif ou des pièces d'attelage (voir l'appendice 1 de l'annexe 2) :**
Information on the fitting of any special reinforcing brackets or plates or spacing components necessary for the attachment of the coupling device or component (see Annex 2, Appendix 1):
- Not applicable
12. **Renseignements supplémentaires pour les cas où l'utilisation du dispositif ou des pièces d'attelage est limitée à des types particuliers de véhicules (voir annexe 5, par. 3.4.):**
Additional information where the use of the coupling device or component is restricted to special types of vehicles - see annex 5, paragraph 3.4.
- Not applicable
13. **Pour les attelages à crochet de la classe K, renseignements concernant les anneaux de timon compatibles:**
For Class K hook type couplings, details of the drawbar eyes suitable for use with the particular hook type:
- Not applicable

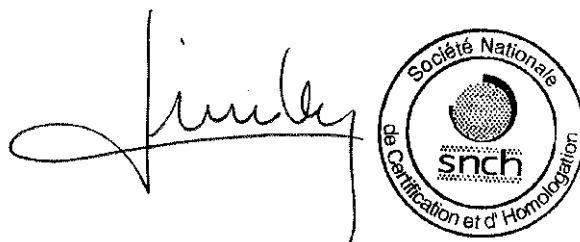
14. **Date du procès-verbal d'essai:** 24.04.2020
Date of test report:
15. **Numéro du procès-verbal d'essai:** LC 1558 001 20
Number of test report:
16. **Emplacement de la marque d'homologation:** Refer to manufacturer's information document
Approval mark position: (See Annex-3)
17. **Motif(s) de l'extension de l'homologation:** Not applicable
Reason(s) for extension of approval:
18. **L'homologation:** ⁽²⁾ Granted / ~~extended~~ / ~~refused~~ / ~~withdrawn~~
Approval:
19. **Fait à:** Luxembourg
Place:
20. **Date:** 28 avril 2020
Date:
21. **Signature:**
Signature:

Pour le Ministre de la Mobilité
et des Travaux publics



Alain DISVISCOUR
Conseiller

Pour la SNCH



Laurent LINDEN
Directeur opérationnel



22. **La liste annexée à la présente communication énumère les documents déposés auprès de l'autorité d'homologation de type ayant délivré l'homologation, qui peuvent être obtenus sur demande.**
The list of documents deposited with the Type Approval Authority which has granted approval is annexed to this communication and may be obtained on request.

See index to type-approval report

² **Rayer les mentions inutiles**
Strike out what does not apply



Référence: E13*55R01/07*4691*00

Annexes: - Rapport Technique
- Fiche de Renseignements du constructeur

Luxembourg, le 28 avril 2020

Index du dossier d'homologation

Index to type-approval report

	Numéro d'homologation: Approval number:	E13*55R01/07*4691*00
	Révision: Revision:	00
	Marque de fabrique ou de commerce: Trade name or mark:	Palazoğlu
	Type: Type:	PLZ-OK
1.	Procès-verbal d'essai: Test report:	LC 1558 001 20
	- Technical report:	Page 1 to 3
	- Index:	1 Page
	- Communication:	Page 1 & 2
	- Test results:	Page 1 & 2
2.	Dossier du constructeur: Report of the manufacturer:	Annex C
	- Manufacturer's information document:	Page 1 to 4
3.	Autres documents annexés: Other documents annexed:	Not applicable
4.	Date de délivrance de l'homologation initiale: Date of issue of initial type approval:	28.04.2020
5.	Date de la dernière délivrance de pages révisées: Date of last issue of revised pages:	Not applicable
6.	Date de la dernière délivrance d'une homologation révisée: Date of last extension:	Not applicable

TECHNICAL REPORT

No.: LC 1558 001 20

Inspection concerning

Mechanical Coupling Components of Combinations of Vehicles

performed according to

ECE-Regulation No. 55
series of amendments: 01
Including supplement: 7

Type approval previously granted: **Not applicable**

Contents:

1. General
 2. Test details
 3. Statement of compliance
- Index

A reproduction of this report and its annexes, except in full, is prohibited without the written permission of Luxcontrol s.a.



1. General

Manufacturer:

**PALAZOĞLU TARIM ALETLERİ
SANAYİ VE TİCARET LİMİTED
ŞİRKETİ
YENİ KANDIRA YOLU ÜZERİ 11. KM
İZMİT/KOCAELİ/TURKEY**

Vehicle Type

Or component or ESA or STU:

PLZ-OK

2. Test details

	Inspector	Location of test:	Date of receipt of test item:	Date of test:
Main report	Erdal Çınarcı (Type Approval Engineer) Onur Yavuz (Type Approval Engineer)	Horozluhan Mh. Ganimet Sk. No: 7-5 Konya/Turkey	01.11.2019	21.01.2020- 31.01.2020

2.1. Remarks

2.1.1. Main report:

Not applicable.



3. Statement of compliance

The inspection items and measurements carried out have shown the compliance of the type described in this technical report and the attached Annexes with the requirements of the standard as stated on page 1.

İstanbul/TURKEY, April 24, 2020

Luxcontrol s.a.
Service Homologation-automobile

Erdal Çınarcı
Ingénieur-Inspecteur

Zehra Doğan
Ingénieur-Inspecteur

Annexes



Details to the information package, including a summary in chronological order, concerning extensions and/or amendments

Type-approval previously granted: **not applicable**

Main Report

Technical Report No.:	LC 1558 001 20	3 Pages
	Index	1 Page

List of Annexes:

A: Communication as numbered in the standard	2 Pages
B: Test results	2 Pages
C: Information folder	4 Pages

Content of the information folder:

- Manufacturer's information document (page 1)
 - Annex 1: technical drawing of coupling (page 2)
 - Annex 2: drawbar eye installation and maintenance instruction (page 3)
 - Annex 3: location of approval mark (page 4)
-



COMMUNICATION AS NUMBERED [] IN THE STANDARD

[1.]	Trade name or mark of the device or component:	Palazoğlu
[2.]	Manufacturer's name for the type of device or component:	PLZ-OK
[3.]	Manufacturer's name and address:	PALAZOĞLU TARIM ALETLERİ SANAYİ VE TİCARET LİMİTED ŞİRKETİ YENİ KANDIRA YOLU ÜZERİ 11. KM İZMİT/KOCAELİ/TURKEY
[4.]	If applicable, name and address of the manufacturer's representative:	Alexandros Pavlidis 57011 Vathilakos Thessaloniki/Greece
[5.]	Alternative supplier's names or trade marks applied to the device or component:	None
[6.]	Name and address of company or body taking responsibility for the conformity of production:	PALAZOĞLU TARIM ALETLERİ SANAYİ VE TİCARET LİMİTED ŞİRKETİ YENİ KANDIRA YOLU ÜZERİ 11. KM İZMİT/KOCAELİ/TURKEY
[7.]	Submitted for approval on:	01.11.2019
[9.]	Brief description:	
[9.1.]	Type and class of device or component:	PLZ-OK Class S
[9.2.]	Characteristic values:	
[9.2.1.]	Primary values:	D: 115 kN Dc: 55 kN S: 3000 kg U: -- tonnes V: 18 kN
	Alternative values:	Not applicable



[9.3.]	For Class A mechanical coupling devices or components, including towing brackets:	Not applicable
[9.4.]	For Class B coupling heads, is the coupling head intended to be fitted to an unbraked O1 trailer:	Not applicable
[10.]	Instructions for the attachments of the coupling device or component type to the vehicle and photographs or drawings of the mounting points given by the vehicle manufacturer:	See the manufacturer's information document
[11.]	Information on the fitting of any special reinforcing brackets or plates or spacing components necessary for the attachment of the coupling device or component:	Not applicable
[12.]	Additional information where the use of the coupling device or component is restricted to special types of vehicles – see annex 5, paragraph 3.4.:	Not applicable
[13.]	For Class K hook type couplings, details of the drawbar eyes suitable for use with the particular hook type:	Not applicable
[16.]	Approval mark position	See the manufacturer's information document (See Annex-3)
[17.]	Reason(s) for extension of approval:	Not applicable



1. **Test results:**

1.1. **Version of the tested vehicle or Information concerning the ~~vehicle type~~ / component and the requested approval**

Following version(s) has (have) been used for testing: PLZ-OK



1.1.1. **General**

The mechanical coupling devices between motor vehicles and trailers are manufactured and attached in accordance with good engineering practice, and are safe to operate.

The mechanical coupling device is designed and manufactured so that in normal use, with proper maintenance and the timely replacement of wearing parts, they will continue to function satisfactorily.

The coupling device is supplied for assembly-line use by vehicle builders or bodybuilders. The provisions of installation and operating instructions for each coupling device can be dispensed with.

The materials used are those for which the properties relevant to the application are laid down in a standard or those for which the properties are given in the information.

All parts of the mechanical coupling devices whose failure could result in separation of the two vehicles are made of steel.

The mechanical coupling devices satisfy the requirements of Annex 5 and Annex 6.



The mechanical coupling devices have been tested in accordance to Annex 6, items 2.2. and 3.4.1. and 3.4.3.

1.1.2.

Test results

The results according to Annex 6, item 3.4.3. for drawbar eyes fulfil the requirements of the regulation.

D-value : **115 kN**
Test force : **+/- 69 kN**
Number of cycles : **2.000.000 cycles**
Test frequency : **2,5 Hz**

The dynamic test performed with approximately sinusoidal load (alternating and/or pulsating) with a number of stress cycles appropriate to the material. No cracks or fractures shall occur.

Horizontal Test Force : **+/- 0,6 x Dc +/- 33 kN**
Vertical Test Force : **+ S x g/1000 +/- 0,6 x V +29.5 kN +/- 11 kN**
Number of cycles : **2.000.000 cycles**
Test frequency : **2,5 Hz**

The dynamic test performed with approximately sinusoidal load (alternating and/or pulsating) with a number of stress cycles appropriate to the material. No cracks or fractures shall occur.

1.2.

Remarks

The inspection results are only applicable to items which have been tested.

1.3.

Test facilities

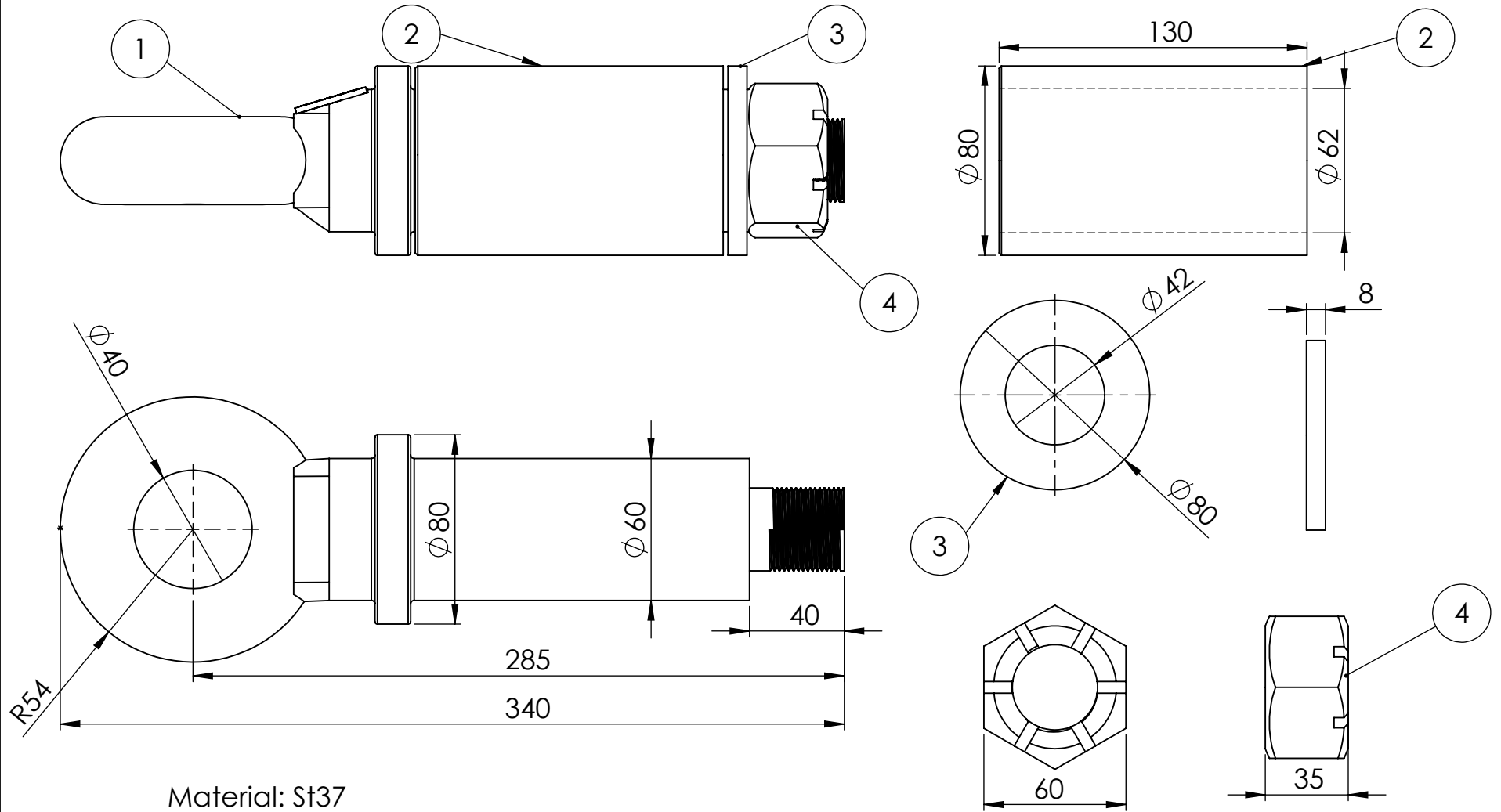
Calibration of measuring and test equipment used to carry out the inspections is in accordance with the standard stated on page 1 of this report and with ISO 17025.

ECE 55.01
UNIFORM PROVISIONS CONCERNING THE APPROVAL OF
DRAWBAR EYE WITH TUBE COMPONENTS OF COMBINATIONS OF VEHICLES

1. Trade name or mark of the device or component: Palazoğlu
2. Manufacturer's name for the type of device or component : PLZ-OK
3. Manufacturer's name and address :
PALAZOĞLU TARIM ALETLERİ SANAYİ VE TİCARET LİMİTED ŞİRKETİ
Yeni Kandıra Yolu Üzeri 11. Km İZMİT/KOCAELİ/TURKEY
4. If applicable, name and address of the manufacturer's representative : Alexandros Pavlidis
57011 Vathilakos
Thessaloniki/Greece
5. Name and address of company or body taking responsibility for the conformity of production :
PALAZOĞLU TARIM ALETLERİ SANAYİ VE TİCARET LİMİTED ŞİRKETİ
Yeni Kandıra Yolu Üzeri 11. Km İZMİT/KOCAELİ /TURKEY
6. Brief description :
 - 6.1. Type and class of device or component : PLZ-OK / Class S
 - 6.2. Characteristic values : See 6.2.1
 - 6.2.1. Primary values:
D: 115 kN Dc: 55 kN S: 3000 kg U: -- V: 18 kN
7. Instructions for the attachment of the coupling device or component type to the vehicle and photographs or drawings of the mounting points given by the vehicle manufacturer : See Annex 2
8. Location of ECE approval mark: On the plate fitted on the drawbar eye, on of the drawbar eye : See Annex 3

LIST OF ANNEXES

Annex	Content	Number of Pages
Annex – 1	Technical Drawing Of Coupling	1
Annex – 2	Drawbar Eye Installation Maintenance Instruction	2
Annex – 3	Location Of Approval Mark	3



1	SAYI	ADET	MALZEME	AĞIRLIK (KG)	YOĞUNLUK	U. KODU
			İSİM	TARİH	60LIK OKBAŞI	
ÇİZEN	Ceyhun DENİZ	13.03.2020				
KONTROL	Ertan BİLGİ	13.03.2020				
ONAY	Barbaros PALAZ	13.03.2020				
NOT :						

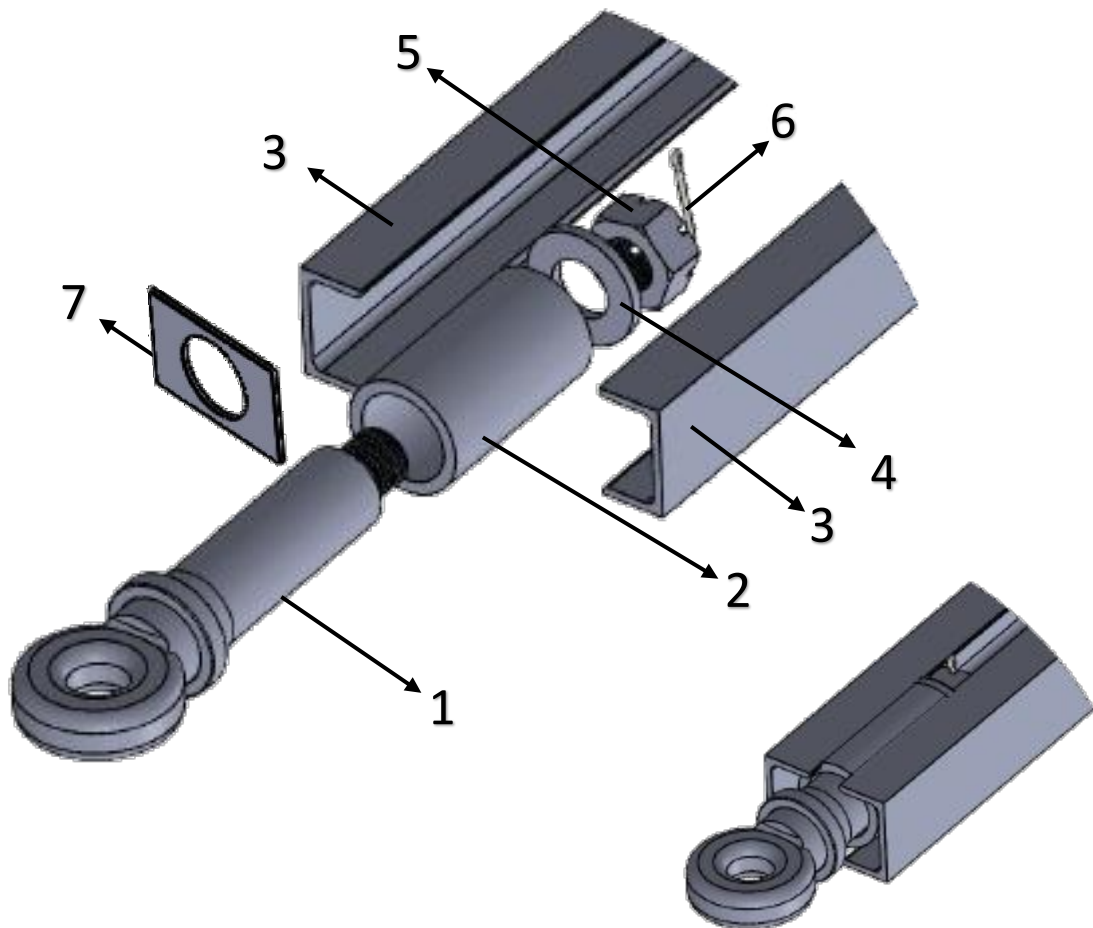
DRAWBAR EYE INSTALLATION AND MAINTENANCE INSTRUCTIONS

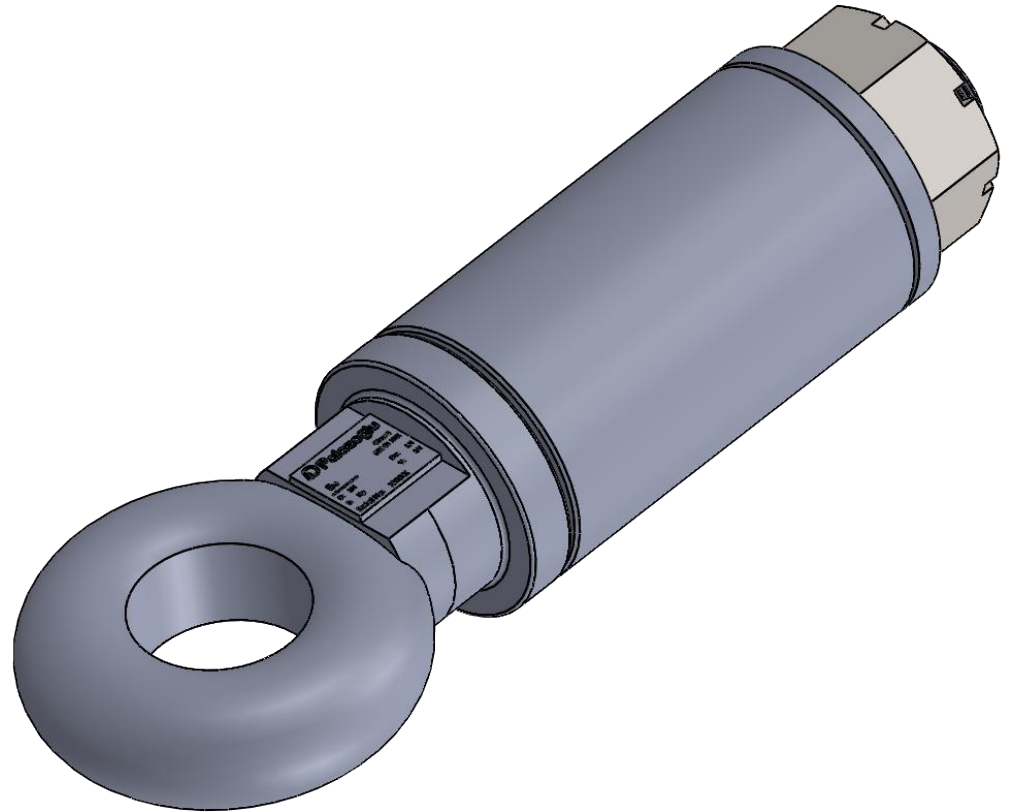
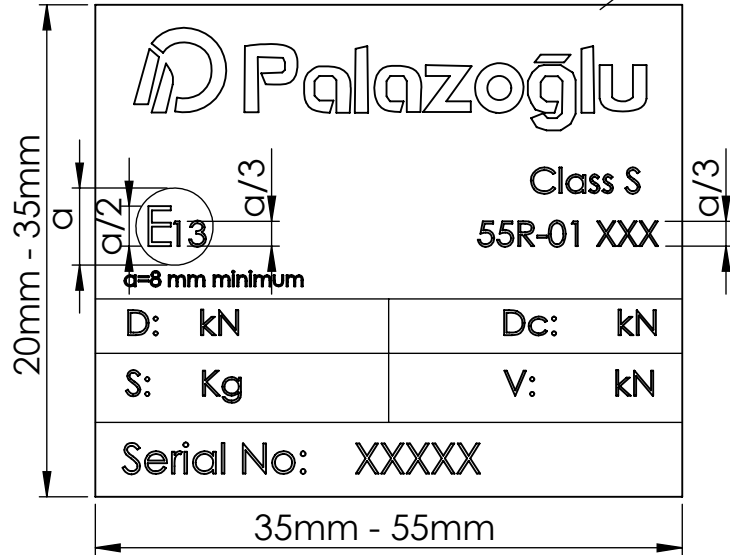
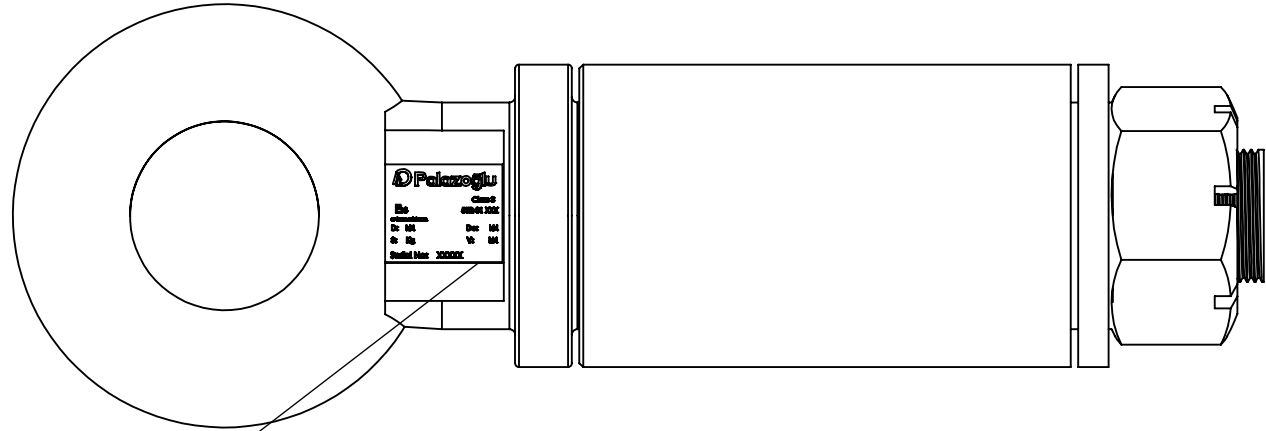
Palazoglu brand drawbar eyes are described under Class S and produced according to Directive ECE R55.

1. Should make enough space for mounting operation between NPU profiles. (No 3)
2. Pipe (No 2) must be welded linely to NPU Profiles inside (No 3)
3. Place the towing eye (No 1) to inside of pipe (No 2)
4. Place the flake (No 4) and nut (No 5)
5. Towing eye nut must be tighten to towing eye (No 8)
6. Use cutter ping (No 6) to fix the nut.
7. There is must be 100 mm - 150 mm distance between Towing eye coupling ring and NPU profile cover (No 7)
8. Should be sure that towing eye coupling (No 3) can turnable inside of pipe (No 4)
9. Weld the NPU cover (No 7) to NPU profiles (No 5)

CAUTION: Failure to follow these instructions may result in property damage, personal injury or even death. Our company shall not be liable for any damage whatsoever and howsoever caused, including improper or incorrect use, modifications, alterations or abuse. Our company reserves the right to make modifications any time.

- Use min. 1mm welding wire for all welding operations.
- Use 8.8 class nut towing eye nut.





1						
SAYI	ADET	MALZEME		AĞIRLIK (KG)	YOĞUNLUK	U. KODU
		İSİM	TARİH	OKBAŞI ETİKET GÖSTERİMİ		
ÇİZEN	Ceyhun DENİZ	13.03.2020				
KONTROL	Ertan BİLGİ	13.03.2020				
ONAY	Barbaros PALAZ	13.03.2020				
NOT :						