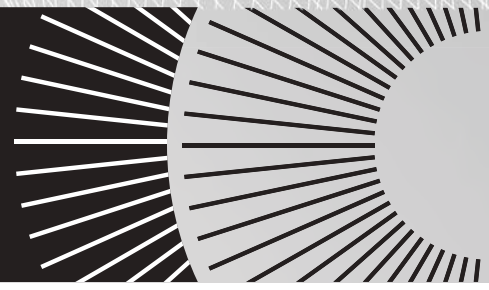


DJN UK LTD
Filters for Industry



DUST FILTER

CATALOGUE



Email: Sales@djnuk.co.uk

Tel: 01623 559 558

DJN UK LTD

Filters for Industry

DJN UK Ltd.,
Southwell Road West Rainworth
Mansfield Nottinghamshire
NG21 0HW
VAT Reg No: 647782394

Filters For Industry



Introduction

DJN UK are an experienced manufacturer, supplier, and stockist of high-quality dust filters. We have been operating as a limited company since 2009 and have many years of knowledge in our industry.

Filter Applications

The dust extraction filters we supply are used in a vast range of industries including, but not limited to:

**Aerospace | Aluminium | Cement
Chemical | Food | Foundries | Laser
Cutting Pharmaceutical | Plasma | Plastic
Power Coating | Rubber | Sand blasting
Shot blasting | Textile | Wood**

Filter Materials

The filter material (media) is the part of the filter that does the hard work. We have a wide range of filter media to suit every application that each filter can be made in.

- **80/20 Paper Polyester Blend** – With Flame retardant and Anti-Static options
- **80/20 Nano Paper Polyester Blend** – With Flame retardant options
- **100% Polyester** – Anti-Static, PTFE Coated, PTFE Membrane options
- **100% Polyester Nano** – Anti-static options
- **No Cure Paper**
- **High Temperature**

We can advise on the correct filter material for specific applications or see our quick media guide at the back of this catalogue for more information.

Email: Sales@djnuk.co.uk

Tel: **01623 559 558**

DJN UK LTD

Filters for Industry

DJN UK Ltd.,
Southwell Road West Rainworth
Mansfield Nottinghamshire
NG21 0HW
VAT Reg No: 647782394

Contents

Filter Styles

03	Cylindrical Filters
04	Oval Filers
05	Flange Top Filter
06	Lug Style filter
07	Square Top Filter
08	Threaded Filters
09	Twist Top Filters
10	Pleated Cell Filters
11-12	Wam Style Filters
13	Bottom Loading Pleated Bags
14	Top Loading Pleated Bags
15	Multi-Pocket Bags
16	Filter Sleeves and Bags
17	Pleated Panels, Synthetic Media and Other Fittings
18	Air, Hydraulic, Fuel, and Oil Filters
19	Filtration Accessories
20	Quick Media Reference

DJN UK LTD

Filters for Industry

DJN UK Ltd.,
 Southwell Road West Rainworth
 Mansfield Nottinghamshire
 NG21 0HW
 VAT Reg No: 647782394

Cylindrical Cartridge Filter

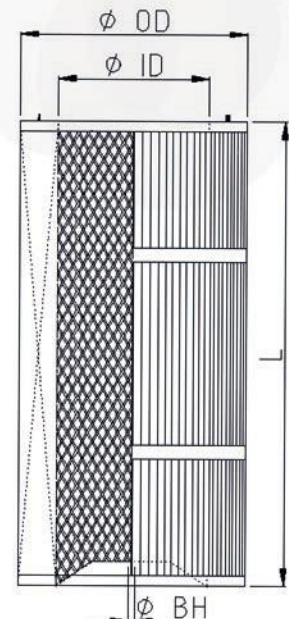
- Single Open Ended or Double Open Ended
- Inner mesh, with outer mesh or straps
- Various gaskets available
- Closed end – optional bolt hole (5-30mm)
- Dirty side removal
- Galvanised caps
- Available in our filtration media options
- Locating lugs optional



Standard Sizes

Cylindrical Filters	Sizes in mm								
	D560	D480	DH	D351	D325	D324	D300	D240	D228
Top cap outer diameter <i>OD</i>	560	478	383	351	325	324	300	240	228
Top cap inner diameter <i>ID</i>	460	368	251	241	215	212	195	130	147
Length <i>L</i>	From 200 to 2000								

Cylindrical Filters	Sizes in mm				
	D225	D200/1	D200/3	D156	D150
Top cap outer diameter <i>OD</i>	215	202	202	156	150
Top cap inner diameter <i>ID</i>	145	115	90	85	96
Length <i>L</i>	From 200 - 2000				



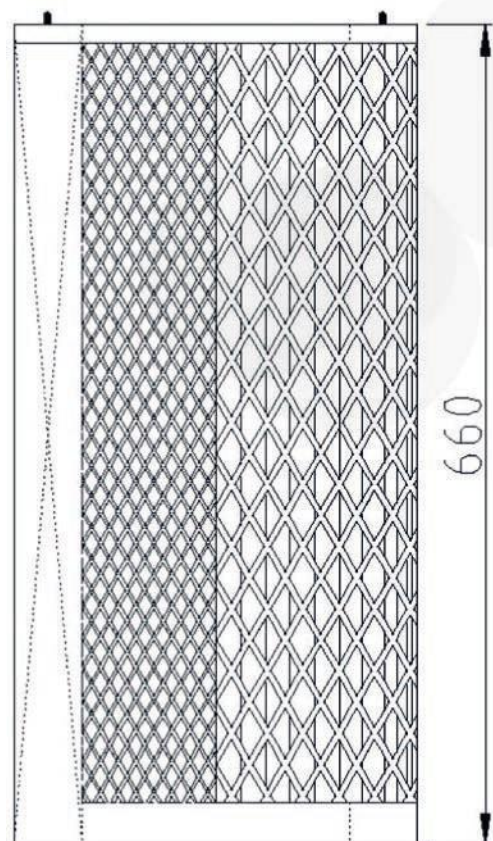
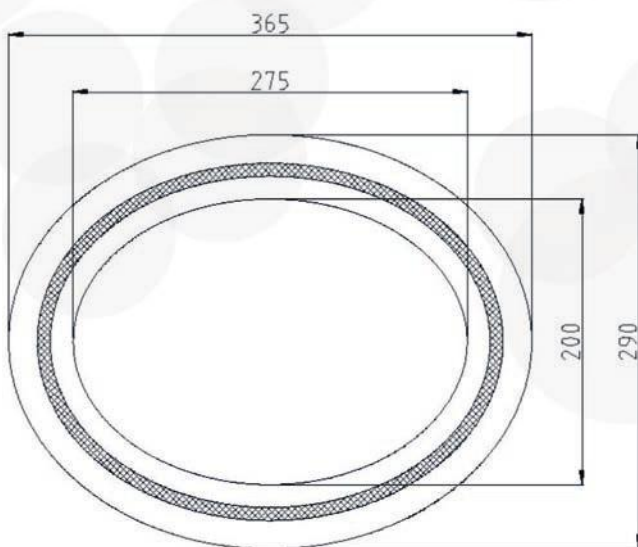
Oval Cartridge Filter

- Double Open Ended
- Inner and outer mesh
- Various gaskets available
- Dirty side removal
- Galvanised caps
- Available in our filtration media options



Standard Sizes

Oval Filters		Sizes in mm
		Oval
Top cap outer diameter	<i>OD</i>	365 x 290
Top cap inner diameter	<i>ID</i>	275 x 200
Length	<i>L</i>	660 (Standard)



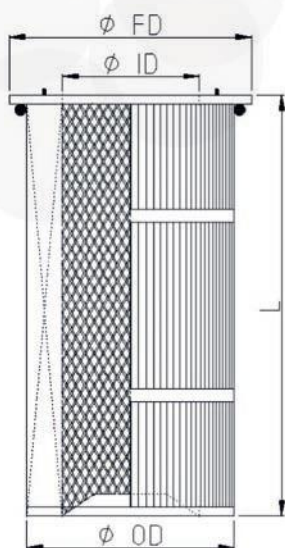
Flange Top Cartridge Filter

- Single Open Ended
- Inner mesh with outer straps
- Clean side removal
- Various gaskets available
- Metal or PU end caps
- Available in our filtration media options



Standard Sizes

Flanged Top Filters		Sizes in mm						
		FL351	FL334	FL185	FL156	AM1	AM2	CKD230
Top cap outer diameter	<i>FD</i>	351	334	185	156	152	210	230
Top cap inner diameter	<i>ID</i>	215	193	85	85	55	100	75
Bottom cap outer diameter	<i>OD</i>	325	301	154	124	117	187	200
Plastic or Metal top cap	<i>P/M</i>	M	M	M	M	M	P	P
Plastic or Metal bottom cap	<i>P/M</i>	M	M	M	P	P	P	P
Length	<i>L</i>	From 300 to 1600						



DJN UK LTD

Filters for Industry

DJN UK Ltd.,
 Southwell Road West Rainworth
 Mansfield Nottinghamshire
 NG21 0HW
 VAT Reg No: 647782394

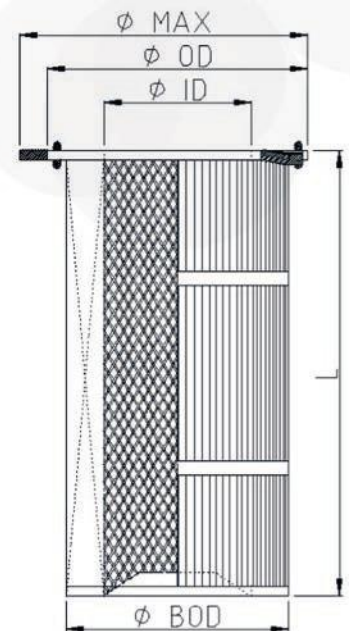
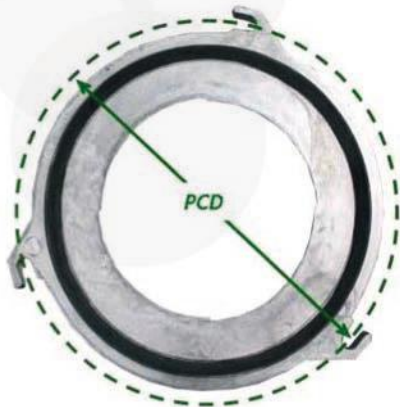
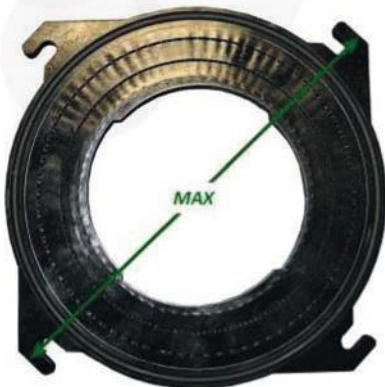
Lug Style Cartridge Filter

- Single Open Ended
- Inner mesh with outer straps
- Clean or dirty side removal
- Various gaskets available
- Closed end
- 3 or 4 Lugged
- PU, Galvanised or Stainless end caps
- Available in our filtration media options



Standard Sizes

Lugged Filters		3 LUGS Metal Caps					3 LUGS Plastic Caps				4 Lugs
		J325	J324	J225	J150	J145	JK225	JK150	JK145	JKW	J225
Top cap outer diameter	OD	370	340	246	190	139	245	185	165	185	248
Top cap inner diameter	ID	209	209	144	85	57	144	83	82	83	144
Top cap max. outer diameter	MAX	397	370	272	207	153	270	207	182	205	300
Pitch circle diameter	PCD	394	367	267	204	145	264	208	180		268
Bottom cap outer diameter	BOD	325	325	216	156	114	220	156	145	145	216
Metal or PU Caps (M/P)		M	M	M	M	M	P	P	P	P	P
Length	L	From 300 to 2000									



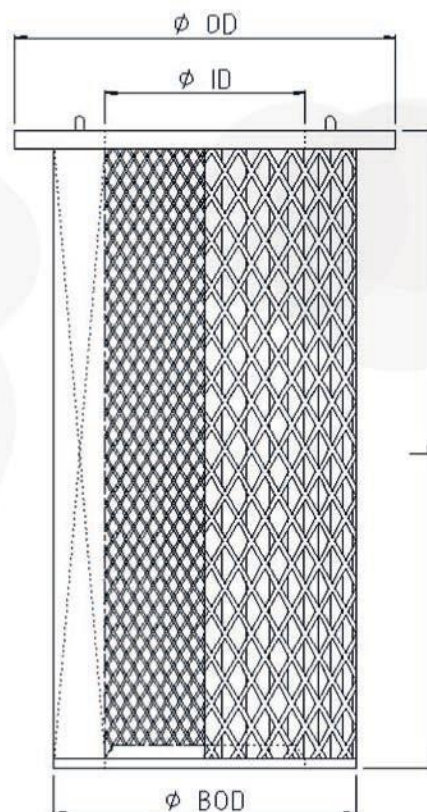
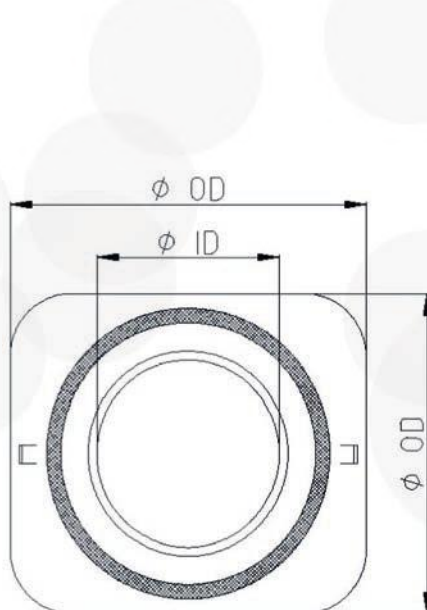
Square Top Cartridge Filter

- Single Open Ended
- Inner mesh with outer mesh or straps
- EPDM Gasket
- Galvanised closed end
- Dirty side removal
- Available in our filtration media options
- Gold Cone gasket either - Square or Round



Standard Sizes

Square Top Filters		Sizes in mm		
		SQ410	SQ225	GC
Top cap outer diameter	OD	410/362	296/353	535/425
Top cap inner diameter	ID	210	145	250
Bottom cap outer diameter	BOD	325	215	382
Inner Cone?	Y/N	N	N	N
Length	L	From 660 to 1400		985



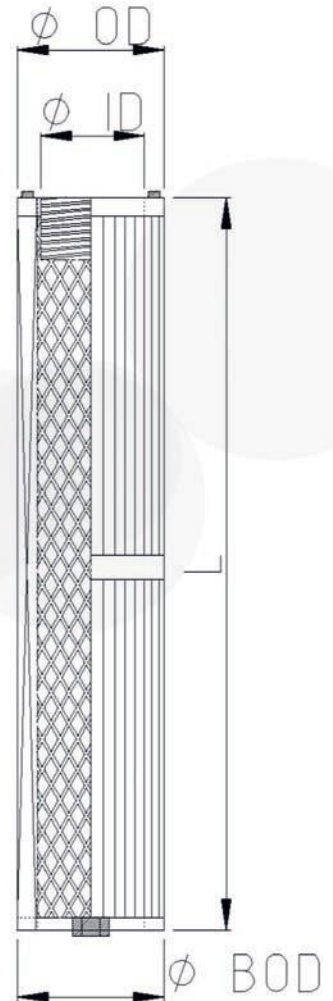
Threaded Cartridge Filter

- Single Open Ended
- Inner mesh with outer straps
- Needle felt or Neoprene gasket
- Closed end with nut on closed end
- Dirty side removal
- Available in our filtration media options
- PU, Galvanised or Stainless Caps
- Tapered or parallel



Standard Sizes

Threaded Filters		Parallel			Tapered		
		RD100	RD72	RD60	RD100	RD72	RD60
Top cap outer diameter	<i>OD</i>	162	120	115	162	120	115
Top cap inner diameter	<i>ID</i>	90	68	54	90	68	54
Thread Size	<i>RD</i>	100	72	60	100	72	60
Bottom cap outer diameter	<i>BOD</i>	162	120	115	115	76	76
Length	<i>L</i>	From 200 to 2000					



Accessories

- Adaptors available separately



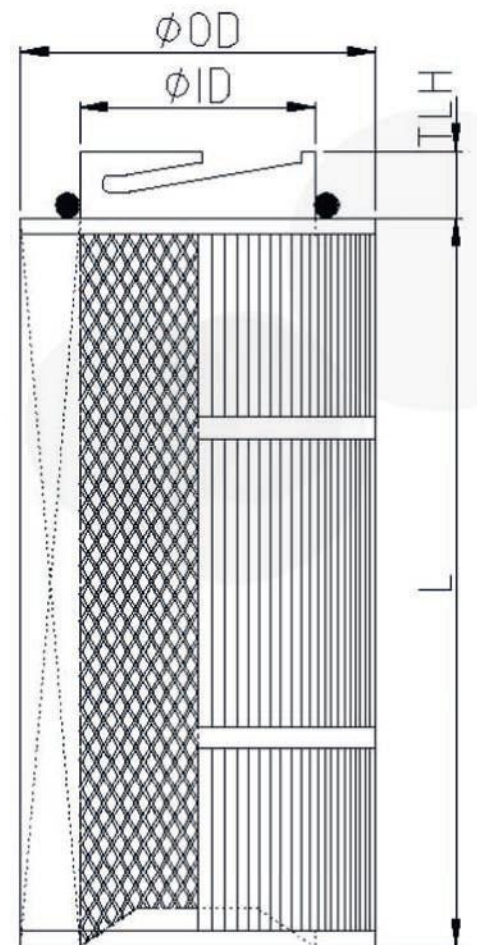
Twist Cartridge Filter

- Single Open Ended
- Inner mesh with outer straps
- EPDM Gasket
- Galvanised closed end
- Dirty side removal
- Available in our filtration media options
- Mix, US, 47mm or 42mm upstands



Standard Sizes

Twist Filters		Sizes in mm			
		Twist47	Twist52	TwistUS	MIXSR
Top cap outer diameter	OD	325	325	324	152
Top cap inner diameter	ID	208	208	209	55
Twist lock height	TLH	47	52	40	32
Length	L	From 300 to 1400			



Cell Panel Cartridge Filter

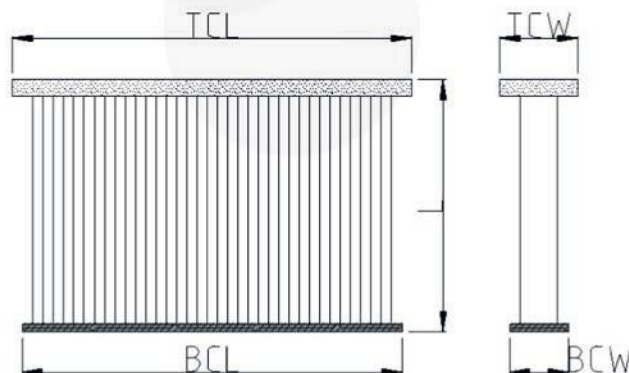
- Single Open Ended
- Inner mesh
- Soft or hard PU top and bottom
- Clean side removal
- Available in our filtration media options
- Self-sealing or under flange gasket



Standard Sizes

Cell Panel Filters		Sizes in mm					
		CP180	CP250	CP420	CP485	CP498	CP500
Top cap length	<i>TCL</i>	197	265	469	480	491	493
Top cap width	<i>TCW</i>	51	50	84	56	95	56
Bottom cap length	<i>BCL</i>	175	245	420	463	468	455
Bottom cap width	<i>BCW</i>	29	26	60	25	75	25
Type		WAM			Unicell		
Length		Various					

Cell Panel Filters		Sizes in mm					
		CP515	CP520	CP565	CP630	CP815	CP1050
Top cap length	<i>TCL</i>	514	510	565	625	812	1050
Top cap width	<i>TCW</i>	50	50	72	90	52	62
Bottom cap length	<i>BCL</i>	490	493	550	619	790	1050
Bottom cap width	<i>BCW</i>	32	30	51	68	31	52
Type		Handte		Locating Lug		Sintamatic	
Length		Various					



Two Stud Top Cartridge Filter

- Single Open Ended
- Inner mesh with outer straps
- PU top and bottom
- Clean side removal
- Available in our filtration media options
- Two bolts for removal



Standard Sizes

Two Stud Filters		Sizes in mm		
		2STUD520	2STUD760	2STUD920
Top cap outer diameter	<i>OD</i>	143	143	143
Top cap inner diameter	<i>ID</i>	90	90	90
Bands	<i>B</i>	1	1	1
Length - Total (Media)	<i>L</i>	520	760	920

Flo Top Cartridge Filter

- Single Open Ended
- Inner mesh with outer straps
- PU top and bottom
- Clean or dirty side removal
- Available in our filtration media options
- Twist fit installation and removal



Standard Sizes

Flo Top Filters		Sizes in mm		
		FLO520	FLO760	FLO920
Top cap outer diameter	<i>OD</i>	144	144	144
Top cap inner diameter	<i>ID</i>	78	78	78
Bands	<i>B</i>	1	1	1
Length - Total (Media)	<i>L</i>	520	760	920

Screw Top Cartridge Filter

- Single Open Ended
- Inner mesh with outer straps
- PU top and bottom
- Dirty side removal
- Available in our filtration media options
- Screw fit installation and removal



Standard Sizes

Screw Top Filters		Sizes in mm	
		Screw1000	Screw500
Top cap outer diameter	<i>OD</i>	155	155
Top cap inner diameter	<i>ID</i>	80	80
Bands	<i>B</i>	2	1
Length - Total (Media)	<i>L</i>	1000 (900)	500 (400)

For **WAM Silotop and Hopperjet**, please refer to our cell panel cartridge filters.

Bottom Loading Pleated Bags

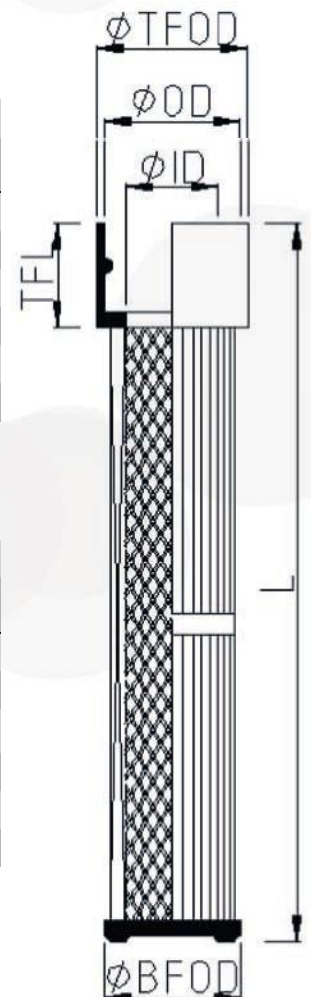
- Single Open Ended
- Inner mesh
- Soft or hard PU top and bottom
- Dirty side removal
- Available in our filtration media options
- Self-sealing



Standard Sizes

Bottom Loading Pleated Bags		Sizes in mm (Not a complete list of caps)			
		BL160	BL145	BL130	BL110
Top flange outer diameter	<i>TFOD</i>	169	150	150	131
Top cap outer diameter	<i>OD</i>	140	145	130	110
Tap cap inner diameter	<i>ID</i>	96		86	88
Length	<i>TFL</i>	96		100	114
Bottom cap outer diameter	<i>BFOD</i>	157	150	144	136
	<i>L</i>	From 300 - 2000			

Bottom Loading Pleated Bags		Sizes in mm			
		BL109	BL108	BL106	BL102
Top flange outer diameter	<i>TFOD</i>	134	131	119	130
Top cap outer diameter	<i>OD</i>	108	106	106	102
Tap cap inner diameter	<i>ID</i>	85	74	74	74
Length	<i>TFL</i>	62	177	65	52
Bottom cap outer diameter	<i>BFOD</i>	116	116	123	123
	<i>L</i>	From 300 - 2000			



Top Loading Pleated Bags

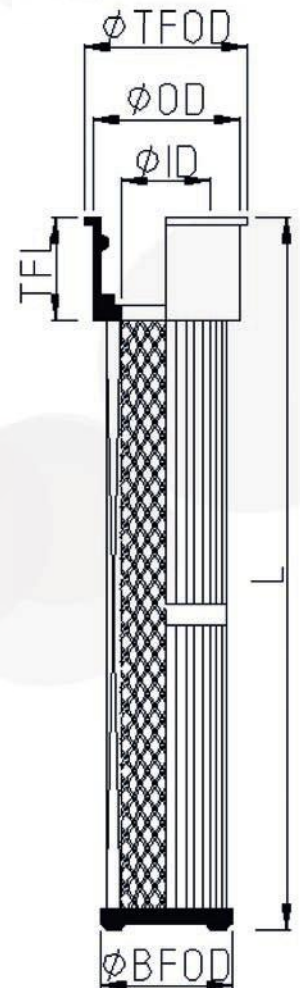
- Single Open Ended
- Inner mesh
- Soft or hard PU top and bottom
- Clean side removal
- Available in our filtration media options
- Self-sealing



Standard Sizes

Top Loading Pleated Bags		Sizes in mm (Not a complete list of caps)			
		PB160	PB154 ¹	PB154 ²	PB145 ¹
Top flange outer diameter	<i>TFOD</i>	184	173	173	158
Top cap outer diameter	<i>OD</i>	157	151	151	150
Tap cap inner diameter	<i>ID</i>	96	96	96	86
Top flange length	<i>TFL</i>	90	90	90	180
Bottom cap outer diameter	<i>BFOD</i>	157	151	151	144
Length	<i>L</i>	From 300 - 2000			

Top Loading Pleated Bags		Sizes in mm (Not a complete list of caps)			
		PB145 ²	PB130	PB125	PB125
Top flange outer diameter	<i>TFOD</i>	160	147	140	138
Top cap outer diameter	<i>OD</i>	141	127	122	122
Tap cap inner diameter	<i>ID</i>	96	73	72	72
Top flange length	<i>TFL</i>	94	95	80	82
Bottom cap outer diameter	<i>BFOD</i>	144	123	123	123
Length	<i>L</i>	From 300 - 2000			



Accessories

- Steel plugs available separately



Multi-Pocket Bags

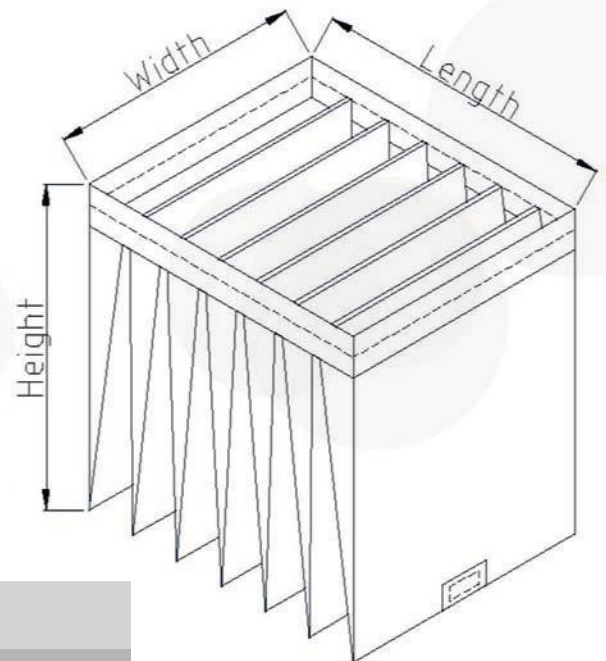
- Flat sewn bottom with reinforcements and a cuff top
- Large range of filter materials and finishes
- Typically installed on DCE or Airmaster units
- Can be supplied with or without spring inserts



Standard Sizes

Multi-Pocket Bags	Sizes in mm					
	UMA40	UMA70	UMA100	UMA150	UMA250	UMA350
Height	664	554	554	604	604	749
Length	275	385	595	595	980	455
Width	395	500	500	690	690	890
Number of pockets	9	12	18	18	29	14 (2x7)
Notes						2 x UMA175

Multi-Pocket Bags	Sizes in mm	
	UMA450	UMA750
Height	749	834
Length	595	800
Width	890	2250
Number of pockets	18 (2x9)	24 (2x12)
Notes	2xUMA225	2xUMA375



Multi-Pocket Bags	Sizes in mm		
	AM15M	AM25M	AM30M
Height	1156	1257	1500
Length	762	965	965
Width	685	863	863
Number of pockets	10	12	12

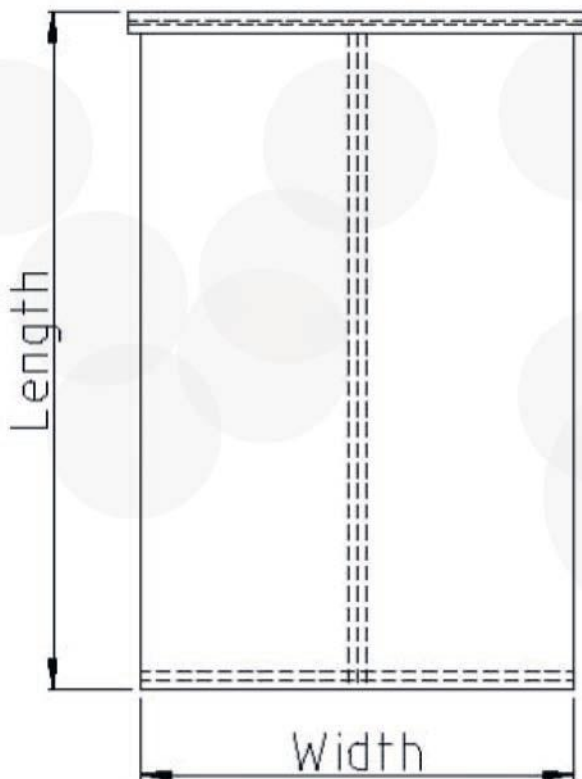
Filter Sleeves and Bags

- Single Open Ended or Double Open Ended
- Raw, hemmed or snapping ends
- Can be made to almost any size
- Large range of filter materials and finishes
- Suitable for shakers or reverse pules units
- Can be supplied with or without cage inserts



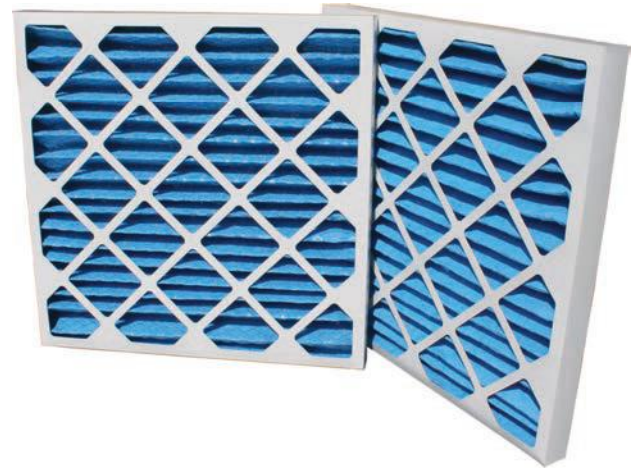
Standard Sizes

Filter Sleeves		Sizes in mm			
		DALA0.7	DALA1	DALA1.25	DALA1.5
Sleeve Length	L	700	1000	1250	1500
Sleeve width Bottom	W	495	495	495	495
Type		Flat sewn bottom, Felt ring top			



Pleated Panel Filters

- Metal Cased or Beverage Board Cased
- Available in a range of efficiencies
- Wide range of sizes
- Suitable for most applications
- Can be used as a primary or secondary filter



Synthetic Media

- Can be supplied as a full roll or cut to size
- Can be used as a primary or secondary filter
- Suitable for most applications
- Range of efficiencies from G2 - FS



Quick Lock Cap

- Conical design filter to match OEM original
- Sizes are 336mm OD, 209mm ID in a range of lengths
- Can be supplied in a range of medias



Tube Style Filters

- Can be used in high temp applications
- Various sizes available



Air Filters

- Highly efficient air filters
- Wide range of filtration medias available
- Wide range of styles and options



Hydraulic Filters

- Wide range of styles
- Spin on versions available
- Replacement elements for a range of OEM



Fuel Filters

- High quality filter medias
- Genuine OEM or equivalent parts
- All metal housings



Oil Filters

- Styles include spin on and spin off and cartridges
- Highly efficient
- High pressure applications



Precoat

- Used for filter protection
- Increases initial efficiency
- Hydrophobic and oleophobic
- Flame retardant
- Creates an initial protective layer on the filter



Swingwing

- Provides a uniform cleaning of the cartridge
- Can be a low noise solution to cleaning
- Various lengths available
- Best used on dry dust



Level Indicator

- Used to indicate product level inside silo
- Available in 24V or 11 OV variants
- Extension pieces available if needed



Valves and diaphragm kits

Spare and replacements diaphragms kits



DJN UK LTD

Filters for Industry

DJN UK Ltd.,
 Southwell Road West Rainworth
 Mansfield Nottinghamshire
 NG21 0HW
 VAT Reg No: 647782394

Media Type Quick Reference

Dust/Fumes	80/20			Poly						NCP	High Temp
	80/20FR	8020FRAS	Nano	Poly	PolyAS	FC	ANFC	MEM	MEMAS		
Welding	✓	✓	✓	✓							
Foundries						✓					
Zinc							✓		✓		
Flame Spray			✓					✓			
Sand Blasting	✓			✓	✓		✓			✓	✓
Shot Blasting	✓			✓	✓					✓	
Grinding						✓	✓				
Welding & Grinding	✓	✓	✓			✓					
Plasma Cutting			✓					✓			
Laser Cutting			✓					✓			
Powder Coating	✓	✓		✓	✓					✓	
Food Applicaitons					✓	✓		✓	✓		
General Dust	✓	✓		✓						✓	✓
Cement			✓	✓		✓					✓
Paper					✓						
Wood					✓						
Chalk				✓		✓					



DJN UK LTD

Filters for Industry

DJN UK Ltd.,
Southwell Road West Rainworth
Mansfield Nottinghamshire
NG21 OHW
VAT Reg No: 647782394



Email: Sales@djnuk.co.uk

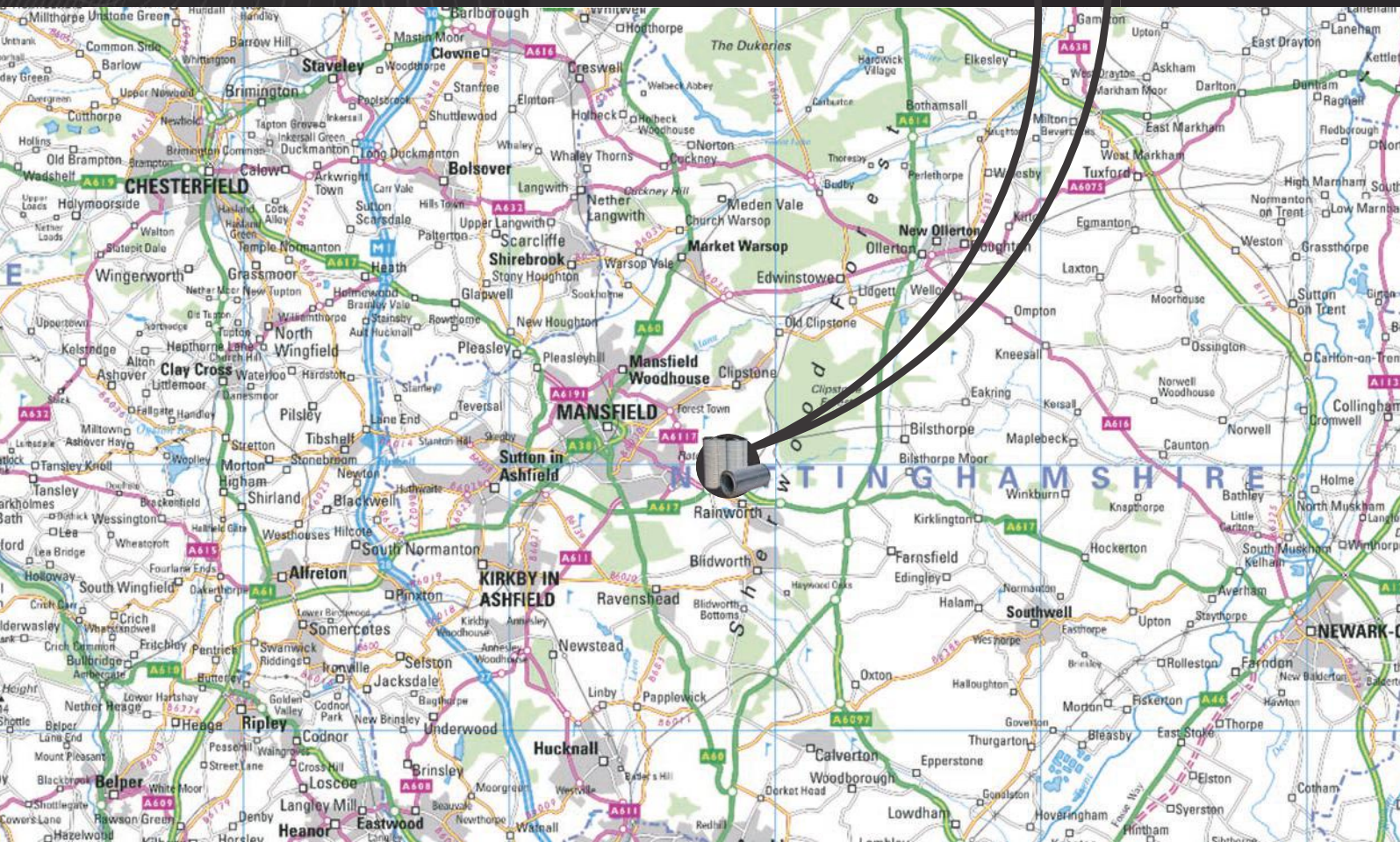
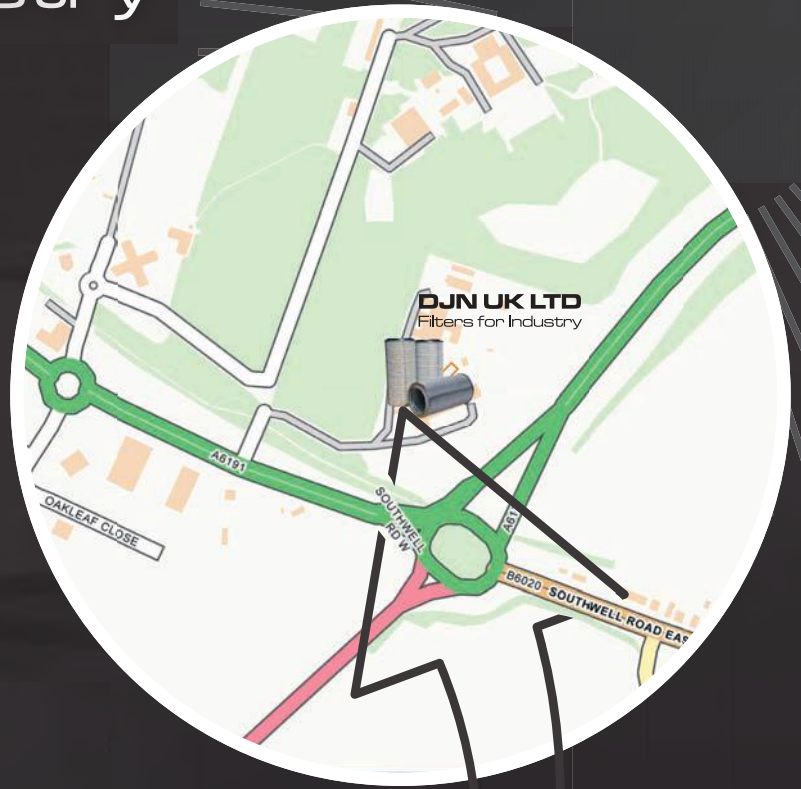
Tel: **01623 559 558**

DJN UK LTD

Filters for Industry

DJN UK Ltd
Southwell Road West
Rainworth
Mansfield
Notts
NG21 0HW

T: 01623 559558
E: sales@djnuk.co.uk



DJN UK LTD
Filters for Industry

